

GREASE LUBRICATION



JIAXING JIANHE LUBRICATION EQUIPMENT CO.,LTD
CENTRALIZED LUBRICATION

Lubrication Systems

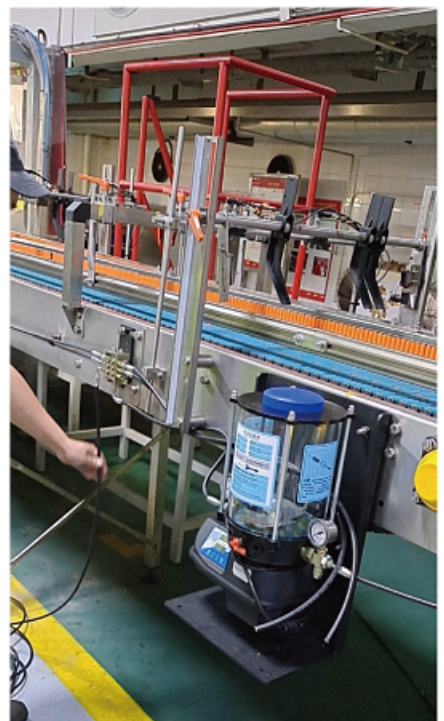
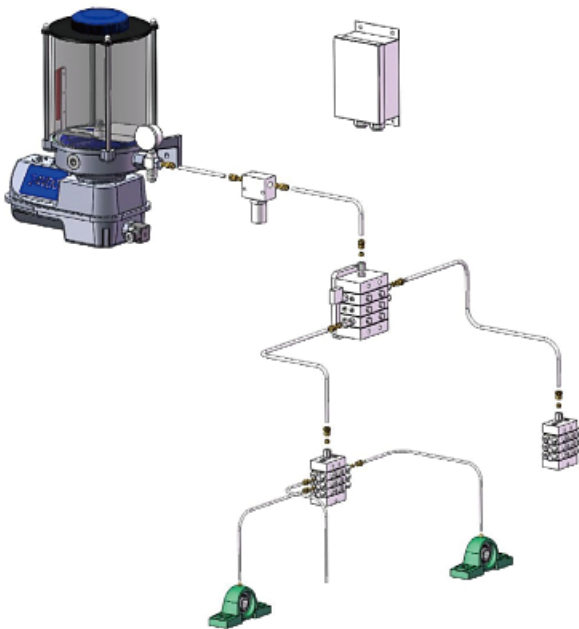


This is an automated and centralised lubrication system that can improve productivity and extend the service life of your plant.

Suitable for all types of hydraulic and industrial applications undertaken across a diverse range of industries, the system automatically delivers lubricant through a single supply line to a network of metering valves.

Ideal for

- Daily or weekly lubrications requirements
- Man power
- Hard to reach lubrication points

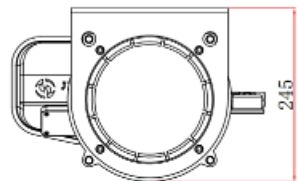
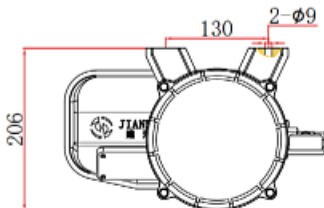
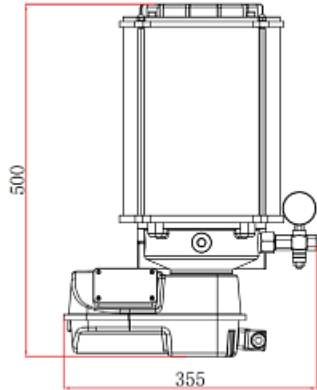
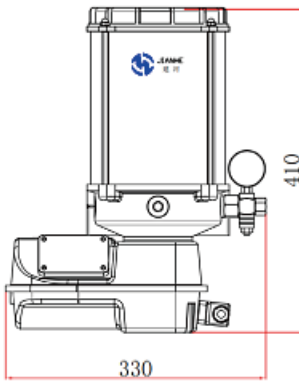


Product Parameters



DBS/G-6L

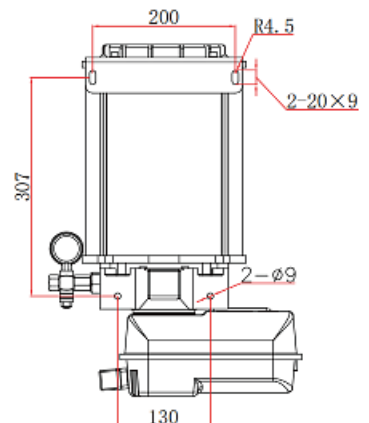
MODEL:	DBS/G
RESERVIOR CAPACITY:	2L/4L/6L/8L/15L
CONTROL TYPE:	PLC/TIME CONTROLLER
LUBRICANT:	NLGI000#-2#
VOLTAGE:	12V/24V/110V/220V/380V
POWER:	50W/80W
RATED WORKING PRESSURE:	25MPA
DISCHARGE VOLUME:	2/5/10ML/MIN
OUTLET NUMBER:	1-6
TEMPERATURE:	-35-80°C
PRESSURE GAUGE:	OPTIONAL
DISGITAL DISPLAY:	OPTIONAL
LOW LEVEL SWITCH:	OPTIONAL
OIL INLETS:	QUICK CONNECTOR/FILLER CAP
OUTLET THREAD:	M10*1 R1/4



4L

Dimensions

MODEL:	HEIGHT(MM)
2L	364
4L	410
6L	510
8L	500
15L	730



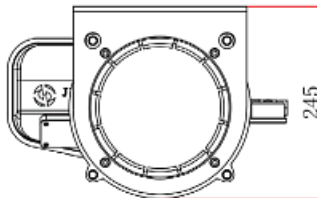
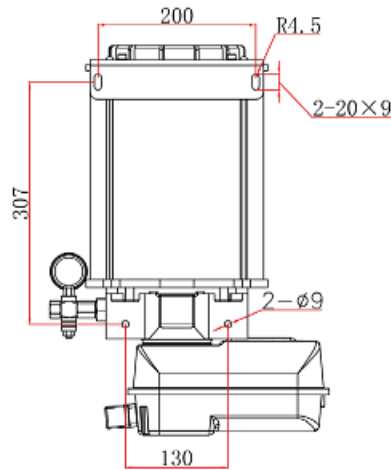
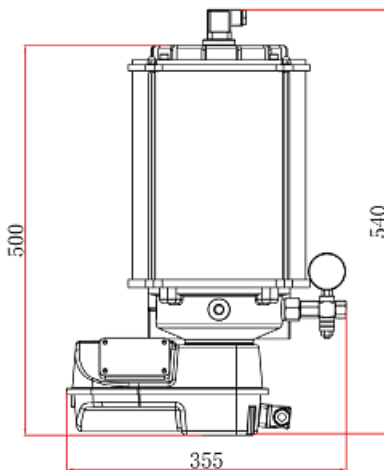
8L

Product Parameters



DBS/I-4.5L

MODEL:	DBS/I
RESERVIOR CAPACITY:	4.5L/8L/15L
CONTROL TYPE:	PLC/TIME CONTROLLER
LUBRICANT:	NLGI000#-3#
VOLTAGE:	12V/24V/110V/220V/380V
POWER:	50W/80W
RATED WORKING PRESSURE:	25MPA
DISCHARGE VOLUME:	2/5/10ML/MIN
OUTLET NUMBER:	1-6
TEMPERATURE:	-35-80°C
PRESSURE GAUGE:	OPTIONAL
DISGITAL DISPLAY:	OPTIONAL
LOW LEVEL SWITCH:	OPTIONAL
OIL INLETS:	QUICK CONNECTOR
OUTLET THREAD:	M10*1 1/4

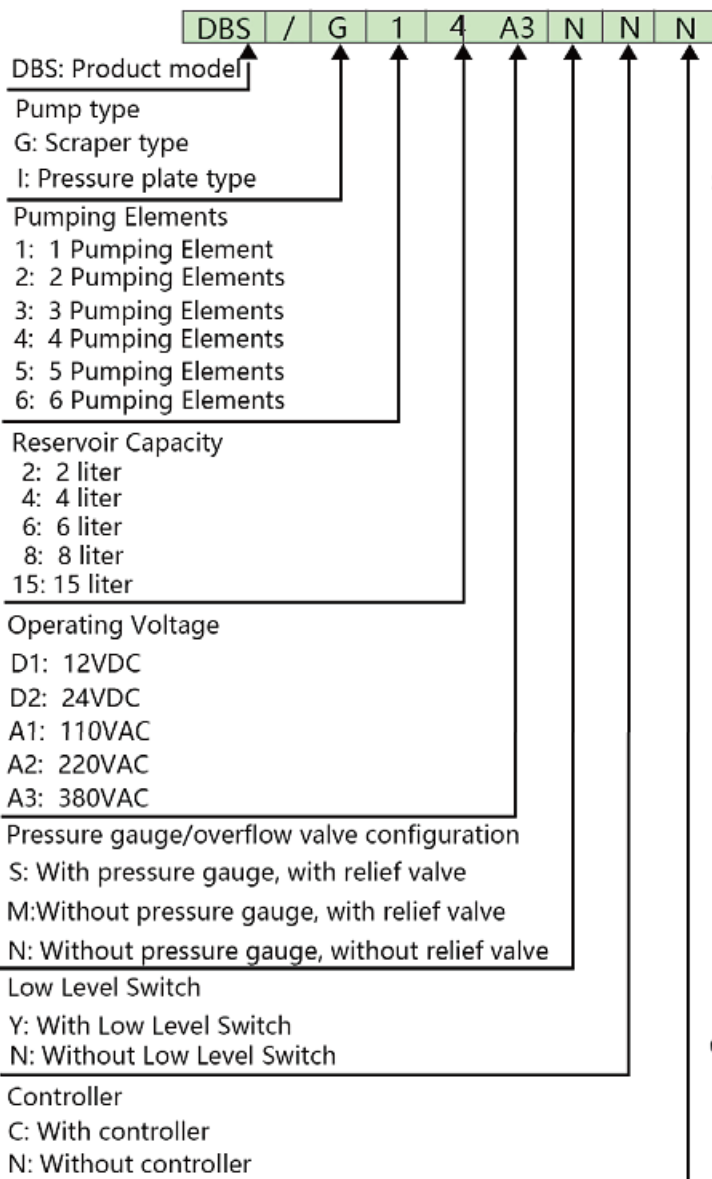


8L

Dimensions

MODEL:	HEIGHT(MM)
4.5L	470
8L	540
15L	750

DBS type electric lubrication pump order code



Selection example:
DBS/G24D2MNC



DBS/I14D2SYC



If there are special requirements, please specify separately when ordering, such as special voltage, metal oil tank, etc.

DBP Pumps

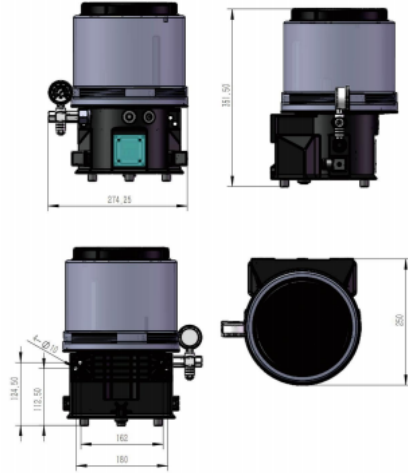
The DBP lubrication pump is versatile, compact and economical. It can supply up to 150 lubrication points, depending on the line length. It consists of a housing with integrated motor, reservoir with stirring paddle, pump element optionally incl. pressure-relief valve, filling nipple and electrical connection parts. This powerful pump can drive up to three pump elements and can be equipped with a low-level control (with or without control board).



Product Dimensions

'H' DIMENSIONS

Tank Capacity	'H'
2L	325
4L	352
8L	455.5



TECHNICAL DATA

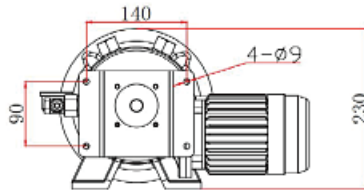
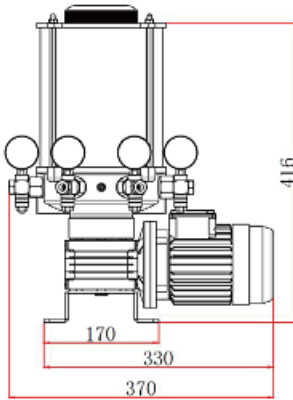
Function principle	Electrically operated piston pump
Operating temperature	-35 to +80 °C
Rated Pressure	250 bar
Reservoir capacity:	2L/4L/8L
Lubricant	NLGI000#-2#
Outlets	Up to 3
Operating Voltage	12VDC/24VDC
Outlet connection	M10*1; R1/4;
Discharge volume	0.063-0.333ml/cyc
Motor power	80W
Motor speed	24RPM

Product Parameters



DBT-6L

MODEL:	DBT TYPE
RESERVIOR CAPACITY:	2L/4L/6L/8L/15L 10L/15L(METAL TANK)
CONTROL TYPE:	PLC/EXTERNAL TIME CONTROLLER
LUBRICANT:	NLGI000#-2#
VOLTAGE:	380V
POWER:	90W
MAX.PRESSURE:	25MPA
DISCHARGE VOLUME:	1.4/1.8/3.5/4.6/6.4/11.5ML/MIN
OUTLET NUMBER:	1-6
TEMPERATURE:	-35-80°C
PRESSURE GAUGE:	OPTIONAL
DISGITAL DISPLAY:	WITHOUT
LOW LEVEL SWITCH:	OPTIONAL
OIL INLETS:	QUICK CONNECTOR/FILLER CAP
OUTLET THREAD:	M10*1 R1/4

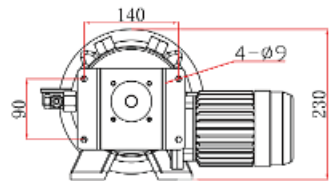
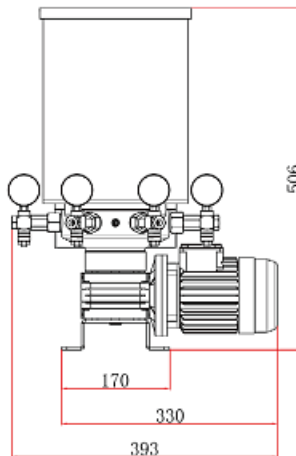


Dimensions

TANK CAPACITY:	L (MM)
2L	380
4L	441
6L	541
8L	529
15L	687



DBT-10



Dimensions

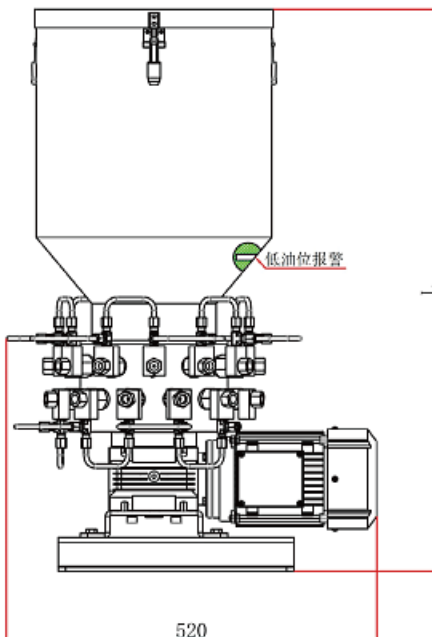
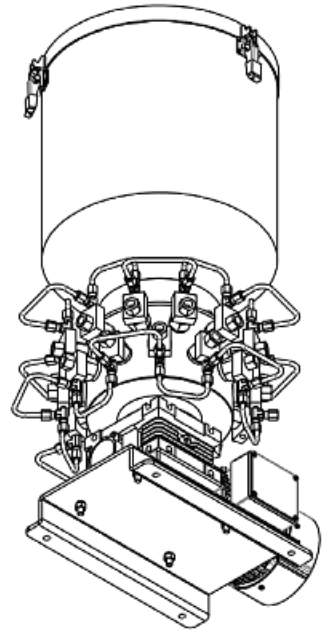
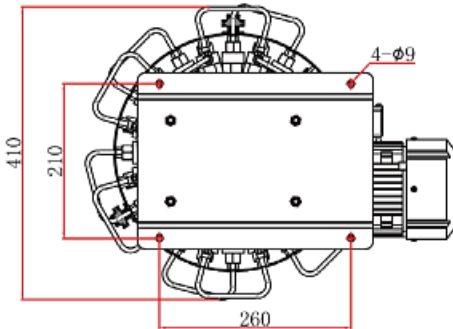
TANK CAPACITY:	10L	15L
L(MM)	506	670

Product Parameters



DDB-30L

MODEL:	DDB TYPE
RESERVIOR CAPACITY:	20L/30L/50L
CONTROL TYPE:	PLC/EXTERNAL TIME CONTROLLER
LUBRICANT:	NLGI000#-2#
VOLTAGE:	380V
POWER:	370W
MAX.PRESSURE:	25MPA
DISCHARGE VOLUME:	1.3/1.9/3.5ML/MIN
OUTLET NUMBER:	1-24
TEMPERATURE:	-35-80°C
PRESSURE GAUGE:	WITHOUT
DISGITAL DISPLAY:	WITHOUT
LOW LEVEL SWITCH:	OPTIONAL
OIL INLETS:	FILLER CAP
OUTLET THREAD:	1/4



Dimensions

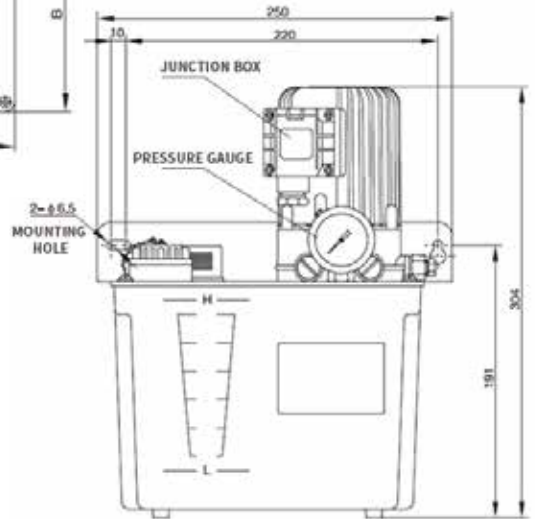
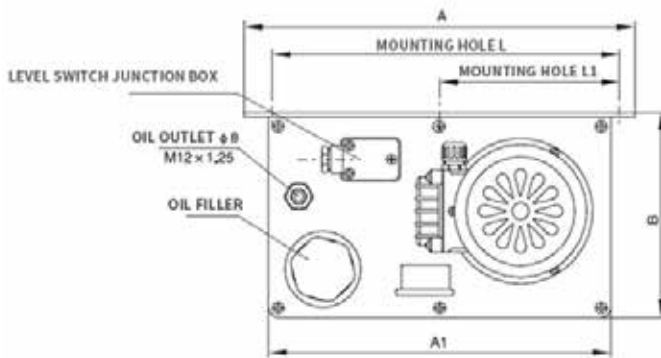
METAL TANK CAPACITY:	20L	30L	40L
1-12 OULETS HEIGHT(L)MM	600	730	960
13-24 OULETS HEIGHT(L)MM	640	770	1000

Product Parameters



JZ-3L

MODEL:	JZ TYPE
RESERVIOR CAPACITY:	3L/6L/9L
CONTROL TYPE:	PLC/EXTERNAL TIME CONTROLLER
LUBRICANT:	NLGI000#-0#
VOLTAGE:	24V/220V/380V
POWER:	60W/90W/180W
MAX.PRESSURE:	4MPA
DISCHARGE VOLUME:	250ML/500ML/800ML/1600ML/MIN
OUTLET NUMBER:	1
TEMPERATURE:	-35-80°C
PRESSURE GAUGE:	WITHOUT
DISGITAL DISPLAY:	WITHOUT
LOW LEVEL SWITCH:	OPTIONAL
OIL INLETS:	FILLER CAP
OUTLET THREAD:	M10*1,M12*1



Dimensions

VOLUME	APPEARANCE (mm)							
	d	L	L1	A	A1	B	H	H1
6L	φ 6.5	288 - 298	149 - 159	324	284	172	348	194
9L	φ 6.5	341 - 351	170 - 180	382	342	192	348	194

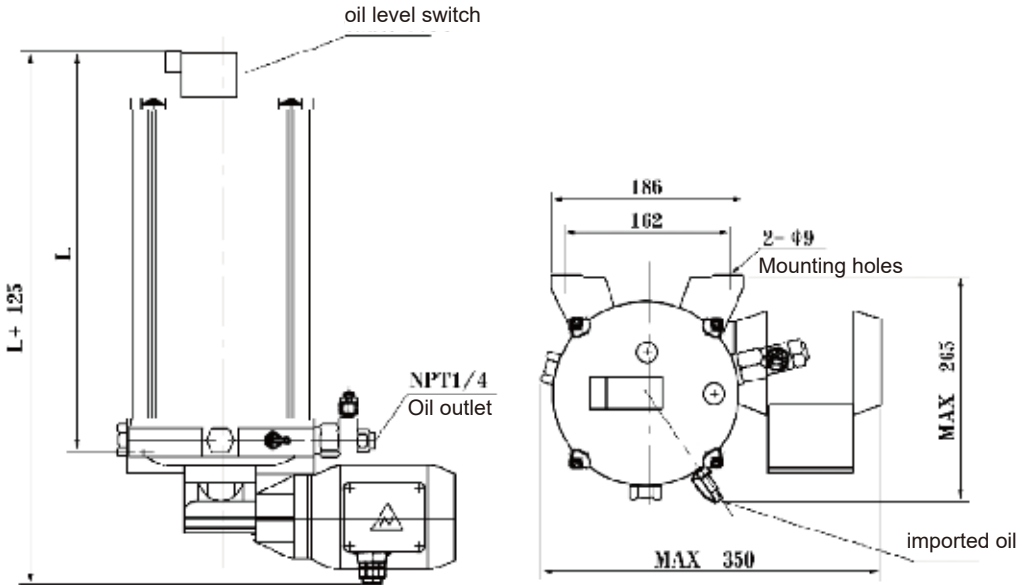
PROJECT TYPE	PRESSURE (MPa)	FLOW (L/min)	VOLUME (L)	MOTOR PARAMETERS			
				VOLTAGE (V)	FREQUENCY (Hz)	POWER (W)	SPEED (r/min)
JZ2.5-32	4.0	0.25	3.0	AC380	50	60	1350
JZ5-32		0.50				90	2700
JZ8-62		0.80	6.0			120	1350
JZ16-62		1.60				180	2700
JZ8-92		0.80	9.0			120	1350
JZ16-92		1.60				180	2700

Product Parameters



DBB-4L

MODEL:	DBB TYPE
RESERVIOR CAPACITY:	2L/4L/6L/8L
CONTROL TYPE:	PLC/EXTERNAL TIME CONTROLLER
LUBRICANT:	NLG1000#-2#
VOLTAGE:	220V/380V
POWER:	60W
MAX.PRESSURE:	25MPA
DISCHARGE VOLUME:	3ML/MIN
OUTLET NUMBER:	1-4
TEMPERATURE:	-35-80°C
PRESSURE GAUGE:	OPTIONAL
DISGITAL DISPLAY:	OPTIONAL
LOW LEVEL SWITCH:	OPTIONAL

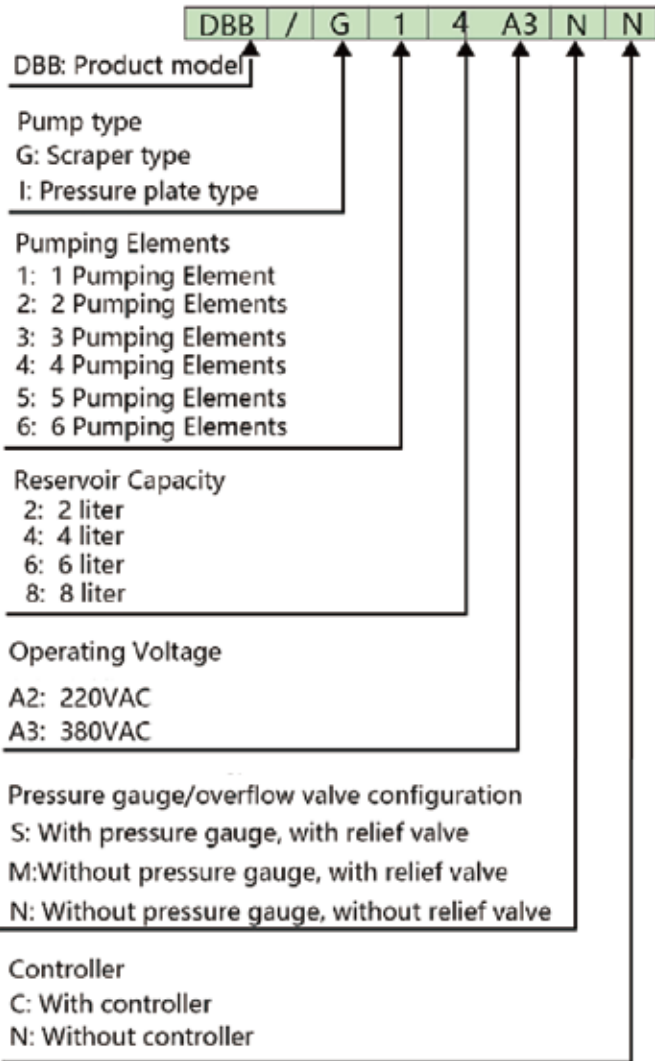


MODEL	VOLTAGE	PRESSURE OF WORK (MPa)	QUANTITY OF GREASE	VOLUME	Liquid level switch	WITH GREASE RANGE
DBB	220V	25	3ml/min	2/4/6/8	No	000-2#
DBB-Y	220V				With	
DBB	380V				No	
DBB-Y	380V				With	

Dimensions

TANK CAPACITY:	2L	4L	6L	8L
L(MM)	295	395	495	595

DBB type electric lubrication pump order code



Selection example
DBB-4L

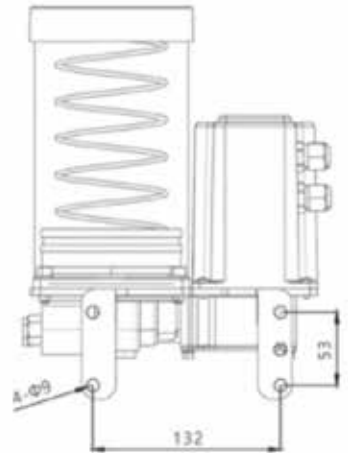
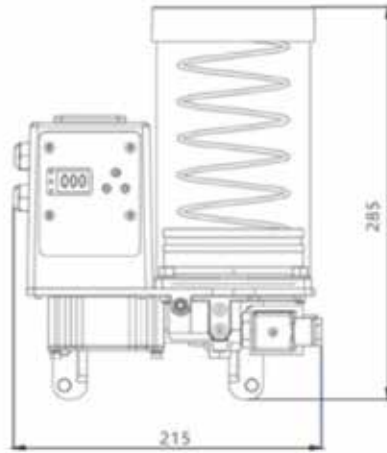
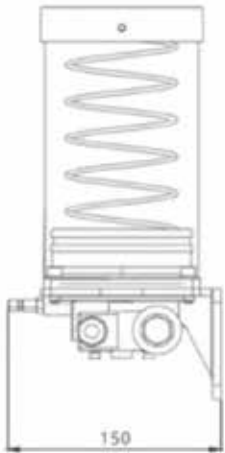
If there are special requirements, please specify separately when ordering, such as special voltage, metal oil tank, etc.

Product Parameters



ELP-1L

MODEL:	ELP TYPE
RESERVIOR CAPACITY:	1L
CONTROL TYPE:	PLC/EXTERNAL TIME CONTROLLER
LUBRICANT:	NLG1000#-1#
VOLTAGE:	24V
POWER:	25W
MAX.PRESSURE:	8MPA
DISCHARGE VOLUME:	20ML/MIN
OUTLET NUMBER:	1
TEMPERATURE:	-35-80°C
PRESSURE GAUGE:	OPTIONAL
DISGITAL DISPLAY:	OPTIONAL
LOW LEVEL SWITCH:	OPTIONAL



ELP-1R-C	with controller	20ml/min	8Mpa	Have solenoid
ELP-1R-N	no controller	20ml/min	8Mpa	Have solenoid
ELP-1D-C	with controller	20ml/min	8Mpa	no solenoid
ELP-1D-N	no controller	20ml/min	8Mpa	no solenoid

Dimensions

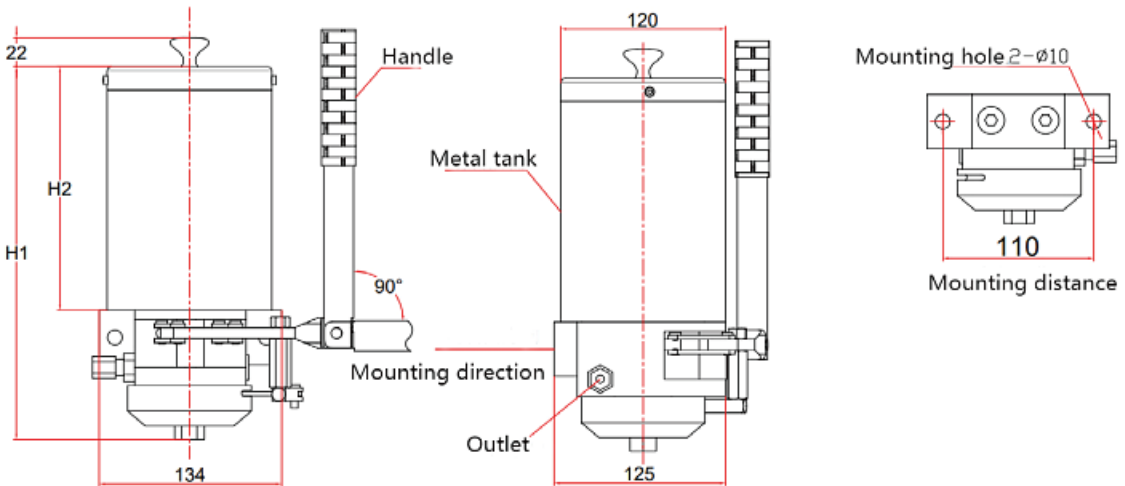
TANK CAPACITY:	1L
L(MM)	285

Product Parameters



MODEL:	BS-M TYPE HAND PUMP
RESERVIOR CAPACITY:	1.5L/2.5L/3.5L
LUBRICANT:	NLGI000#-1#
MAX.PRESSURE:	31.5MPA
DISCHARGE VOLUME:	2.0ML/CYC
OUTLET NUMBER:	1-2
TEMPERATURE:	-35-80°C
OIL INLETS:	FILLER CAP
OUTLET THREAD:	Φ6 Φ8 Φ10

BM-S-1.5L



Dimensions

METAL TANK CAPACITY:	1.5L	2.5L	3.5L
H1 (MM)	275	381	467
H2(MM)	178	284	370

LSG Pumps

The LSG pump is a manual piston pump that injects grease directly into the lubrication points. It is also possible to distribute grease proportionally or quantitatively to the lubrication points by means of a lubrication distributor. It is suitable for all kinds of small and medium-sized machinery and equipment.



Product Dimensions



TECHNICAL DATA

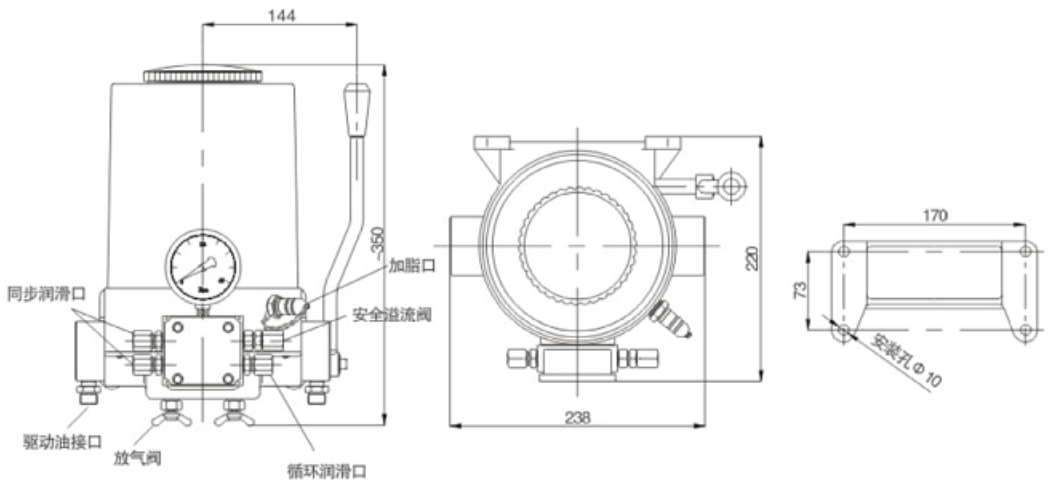
Function principle	Hand operated piston pump
Operating temperature	25C--+70°C ;
Rated pressure	10Mpa
Lubricant	NLG1000#-1#
Reservoir capacity	300cc/500cc/800cc
Discharge capacity	2.0ml/cyc
Outlets	1
Outlet thread	M10*1(Ø6)

Product Parameters

MODEL:	DBM/Q
RESERVIOR CAPACITY:	4L
LUBRICANT:	NLG1000#-0#
PN:	16-19MPA
MAX.PRESSURE:	25MPA
HAND PUMP PN:	15MPA
HAND PUMP DISCHARGE:	0.5ML/CYC
CIRCULATING DISCHARGE:	0.2,0.3,0.4ML/CYC
SYNCHRONOUS DISCHARGE:	0.15,0.2,0.25ML/CYC
CYCLE COUNTING NUMBER:	1
SYNCHRONOUS COUNTING NUMBER:	2
TEMPERATURE:	-35-80°C
OIL INLETS:	FILLER CAP
OUTLET THREAD:	Φ6



DBM/Q

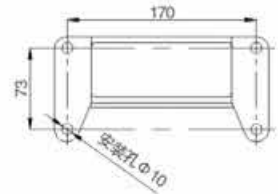
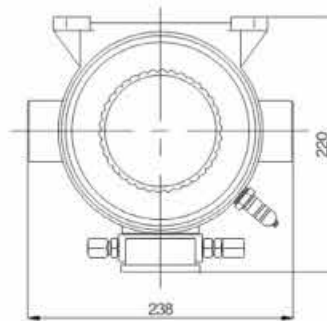
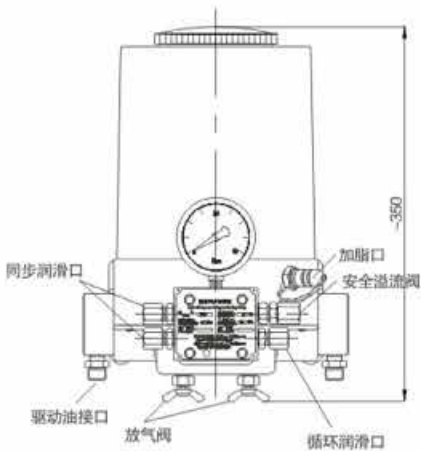


Product Parameters

MODEL:	DBM/B
RESERVIOR CAPACITY:	4L
LUBRICANT:	NLGI000#-0#
PN:	30MPA
MAX.PRESSURE:	25MPA
HAND PUMP PN:	15MPA
HAND PUMP DISCHARGE:	0.5ML/CYC
CIRCULATING DISCHARGE:	0.2,0.3,0.4ML/CYC
SYNCHRONOUS DISCHARGE:	0.15,0.2,0.25ML/CYC
CYCLE COUNTING NUMBER:	1
SYNCHRONOUS COUNTING NUMBER:	2
TEMPERATURE:	-35-80°C
OIL INLETS:	FILLER CAP
OUTLET THREAD:	Φ6



DBM/Q

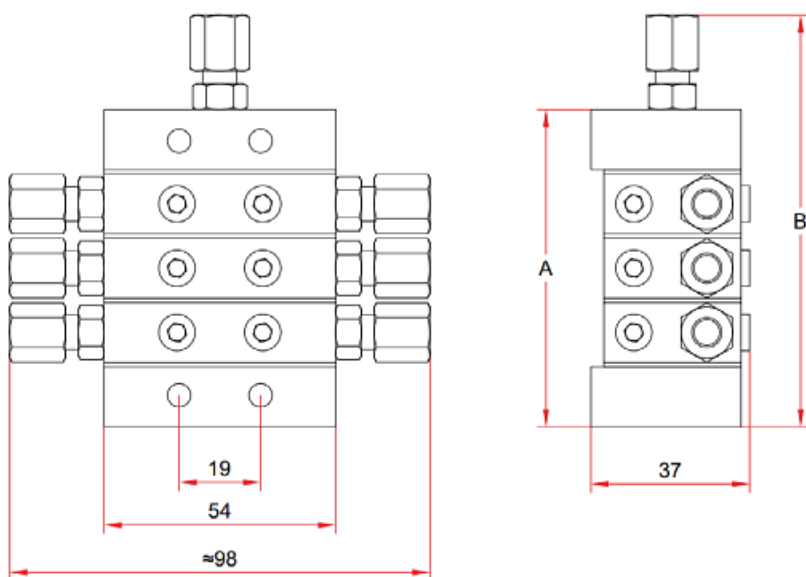


DIVIDER VALVES

Progressive Divider Valve Manifolds distribute and proportion incoming oil or grease to bearing points. Individual valve blocks operate in a “Progressive” sequence. During operation, the piston within the block must complete a full discharge cycle before another piston begins operation. As long as lubricant is supplied under pressure to the inlet section of the divider, manifold valve blocks will continue to operate in a progressive manner.

When lubricant flow is interrupted to the inlet block, piston movement stops. When flow resumes, piston movement commences at the same point in the discharge cycle. Feed lines deliver lubricant from the valve block to individual lube points. Should a discharge line become blocked, it will stop all the valves operating. Indicators and cycle switches are available to alert a blockage.

1000 DIVIDER VALVES

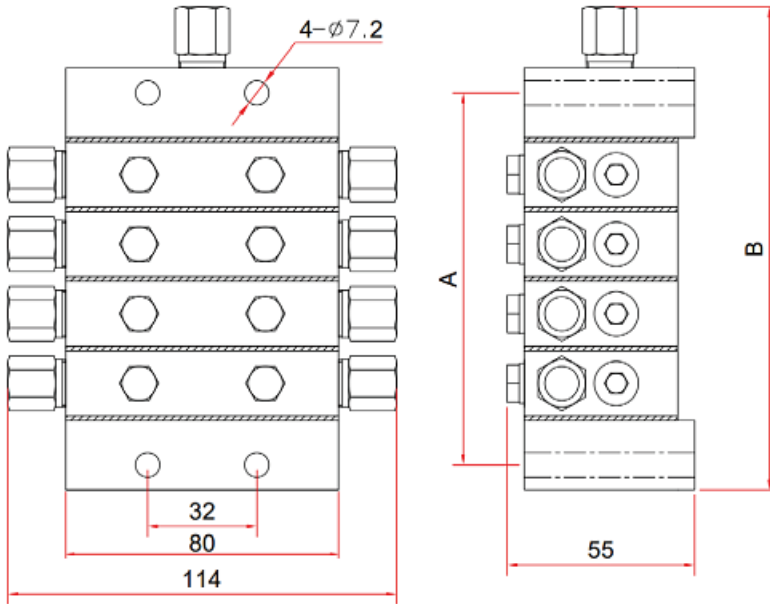


MIN-MAX PRESSURE (MPA)	INLET SIZE	OUTLET SIZE	WORKING CHIP SIZE (MM)	INSTALL HOLE DISTANCE (MM)	INSTALL THREAD	LENGTH (A)	OUTLET PIPE DIA (MM)	WORKING TEMPERATURE
1.4-16	M10*1 NPT 1/8	M10*1 NPT 1/8	54*32*14	18	4-M5	A=32+N*14 N CHIP NUMBER	STANDARD 6MM	-20°C TO +60°C



WORKING CHIPS	STANDARD FLOW	EACH CHIP OUTLET QUANTITY
1000-05T	0.08	2
1000-05S	0.16	1
1000-10T	0.16	2
1000-10S	0.32	1
1000-15T	0.24	2
1000-15S	0.48	1
1000-20T	0.32	2
1000-20S	0.64	1

2000 DIVIDER VALVES

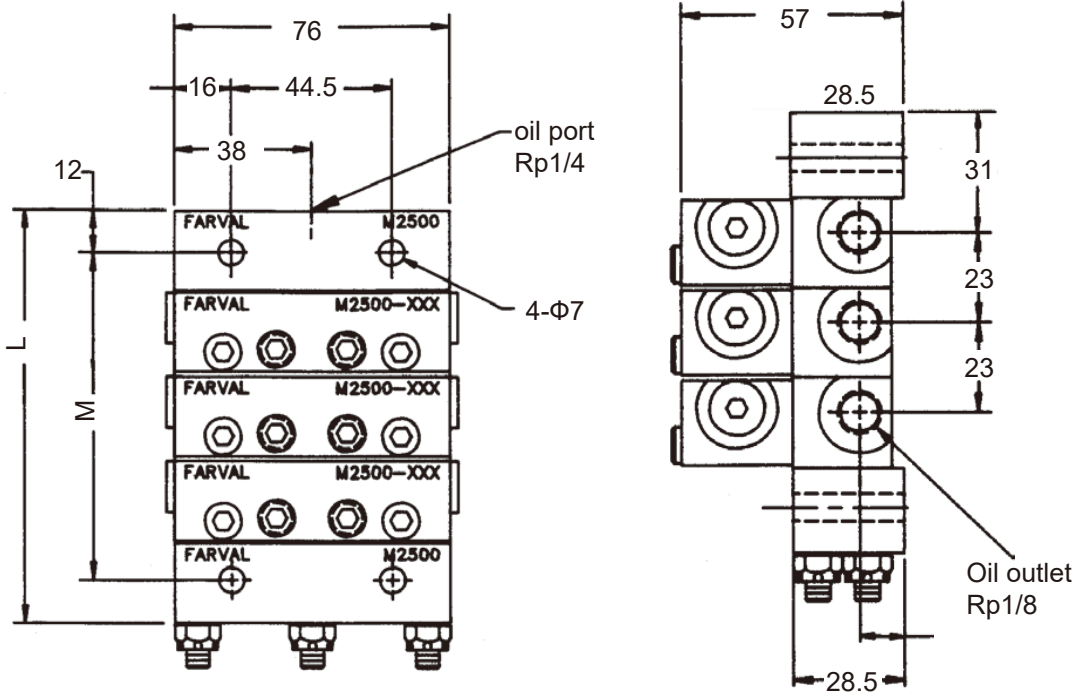


MIN-MAX PRESSURE (MPA)	INLET SIZE	OUTLET SIZE	WORKING CHIP SIZE (MM)	INSTALL HOLE DISTANCE (MM)	INSTALL THREAD	LENGTH (A)	OUTLET PIPE DIA (MM)	WORKING TEMPERATURE
1.4-25	M12*1.5	M10*1	80*45*19	32	4-M6	A=32+N*20.5 N CHIP NUMBER	STANDARD 6MM	-20°C TO +60°C



WORKING CHIPS	STANDARD FLOW	EACH CHIP OUTLET QUANTITY
2000-10T	0.16	2
2000-10S	0.32	1
2000-15T	0.24	2
2000-15S	0.48	1
2000-20T	0.32	2
2000-20S	0.64	1
2000-25T	0.40	2
2000-25S	0.80	1
2000-30T	0.48	2
2000-30S	0.96	1
2000-35T	0.56	2
2000-35S	1.12	1

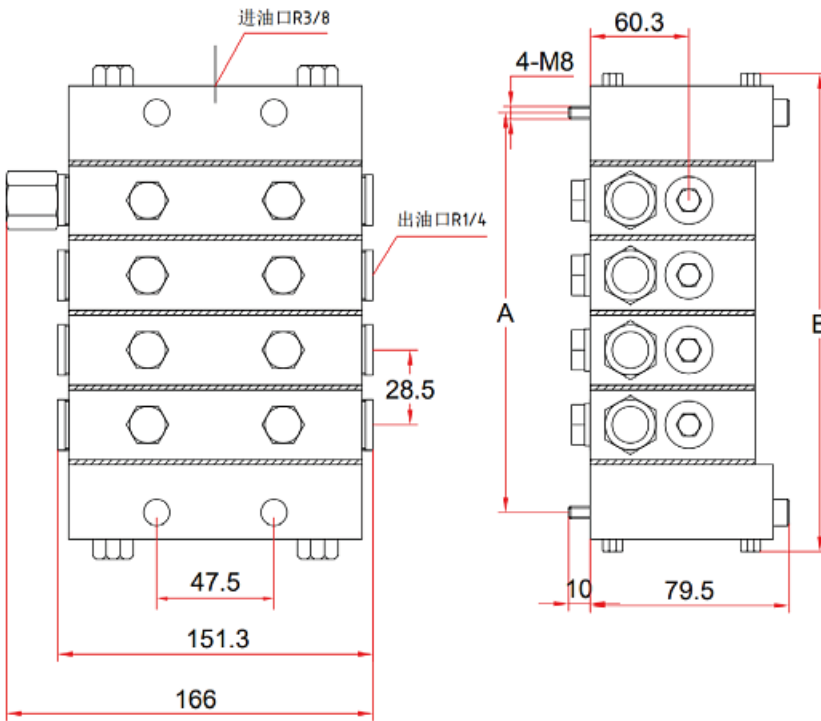
M2500G DIVIDER VALVES



# of Sections	M(mm)	L(mm)	# of Sections	M(mm)	L(mm)
3	91	122	7	185	215
4	115	145	8	208	239
5	138	169	9	231	262
6	161	192	10	255	285

Valve Size	Discharge Cu. In. (cc)		MAX. PRESSURE (MPA)	RATED WORKING PRESSURE: (MPA)	Valve Sections			
	Twin Outlet	Single Outlet			Twin Outlet		Single Outlet	
					Standard	W / Cycle Pin	Standard	W/ Cycle Pin
05	0.08	0.16	25	1.4	MCVA250105T	----	MCVA250105S	----
10	0.16	0.32			MCVA250105T	----	MCVA250105S	----
15	0.24	0.48			MCVA250115T	----	MCVA250115S	----
20	0.32	0.64			MCVA250120T	MCVA250120TP	MCVA250120S	MCVA250120SP
25	0.41	0.82			MCVA250125T	MCVA250125TP	MCVA250125S	MCVA250125SP
30	0.49	0.98			MCVA250130T	MCVA250130TP	MCVA250130S	MCVA250130SP
35	0.57	1.14			MCVA250135T	MCVA250135TP	MCVA250135S	MCVA250135SP
40	0.64	1.28			MCVA250140T	MCVA250140TP	MCVA250140S	MCVA250140SP

3000 DIVIDER VALVES

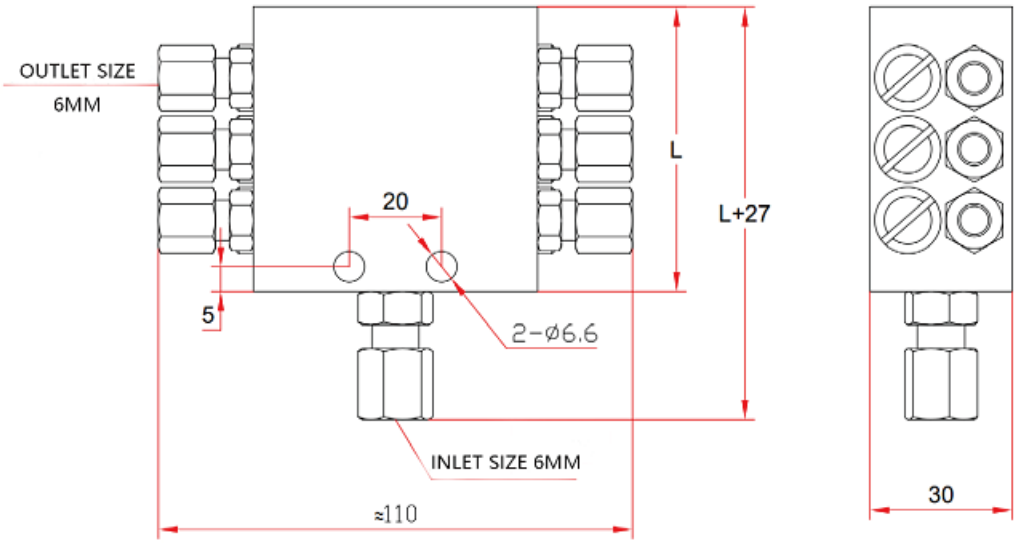


MIN-MAX PRESSURE (MPA)	INLET SIZE	OUTLET SIZE	WORKING CHIP SIZE (MM)	INSTALL HOLE DISTANCE (MM)	INSTALL THREAD	LENGTH (A)	OUTLET PIPE DIA (MM)	WORKING TEMPERATURE
1.4-16	RP3/8	RP1/4	128*70*28	47.6	4-M8	A=57.4+N*2 8.8 N CHIP NUMBER	STANDARD 6MM	-20°C TO +60°C



WORKING CHIPS	STANDARD FLOW	EACH CHIP OUTLET QUANTITY
3000-25T	0.4	2
3000-25S	0.8	1
3000-50T	0.8	2
3000-50S	1.6	1
3000-75T	1.2	2
3000-75S	2.4	1
3000-100T	1.6	2
3000-100S	3.2	1
3000-125T	2	2
3000-125S	4	1
3000-150T	2.4	2
3000-150S	4.8	1

SSV Divider Valves



MIN-MAX PRESSURE (MPA)	INLET SIZE	OUTLET SIZE	NOMINAL CAPACITY (ML/CY)	INSTALL HOLE DISTANCE (MM)	INSTALL THREAD	OUTLET PIPE DIA (MM)	WORKING TEMPERATURE
1.5-30	M10*1 NPT 1/8	M10*1 NPT 1/8	0.17	20	2-M6.6	STANDARD 6MM	-20°C TO +60°C



MODER:	OUTLET NUMBER	L (MM)	WEIGHT (KGS)
SSV-2/6	2-6	60	0.96
SSV-7/8	7-8	75	1.19
SSV-9/10	9-10	90	1.42
SSV-11/12	11-12	105	1.65
SSV-13/14	13-14	120	1.88
SSV-15/16	15-16	135	2.11
SSV-17/18	17-18	150	2.34
SSV-19/20	19-20	165	2.57

SSV ACCESSORIES



THREADED FITTINGS CHECK VALVE
(check valve for 4/6 mm tube)



QUICKLINK PLUG IN FITTINGS

check valve for 6 mm tube - high pressure
(for primary metering devices)

check valve for 4 mm tube - medium pressure
(for secondary metering devices)

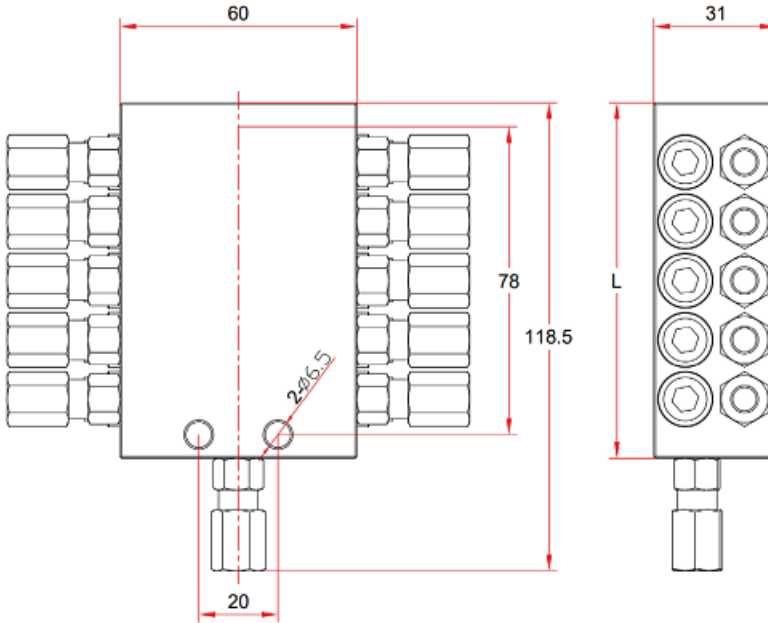


OUTLET CLOSURE PLUG

outlet closure plug M 10 x 1

Only required when closure plug does not seal

JPQA DIVIDER VALVES

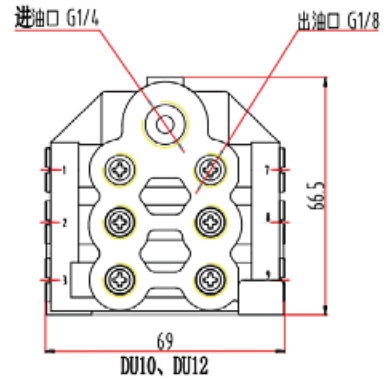
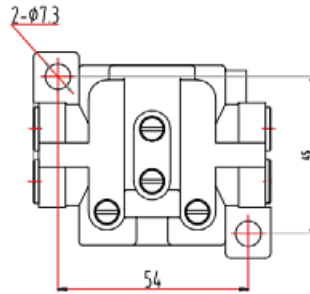
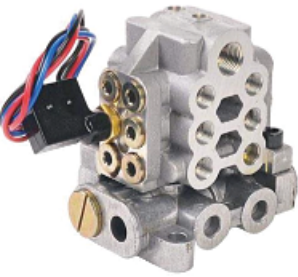
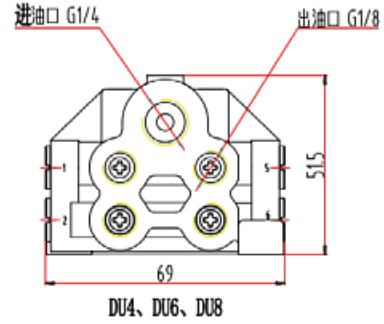
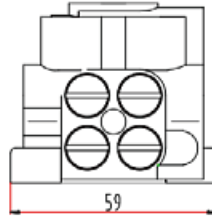


MIN-MAX PRESSURE (MPA)	INLET SIZE	OUTLET SIZE	NOMINAL CAPACITY (ML/CY)	INSTALL HOLE DISTANCE (MM)	INSTALL THREAD	OUTLET PIPE DIA (MM)	WORKING TEMPERATURE
1.5-25	M10*1 NPT 1/8	M10*1 NPT 1/8	0.25	20	2-M6.5	STANDARD 6MM	-20°C TO +60°C



MODER:	OUTLET NUMBER	L (MM)	WEIGHT (KGS)
JPQA-2/6	2-6	60	0.86
JPQA-7/8	7-8	75	1.15
JPQA-9/10	9-10	90	1.44
JPQA-11/12	11-12	105	1.73
JPQA-13/14	13-14	120	2.02
JPQA-15/16	15-16	135	2.31

U TYPE DIVIDER VALVES



MIN-MAX PRESSURE (MPA)	INLET SIZE	OUTLET SIZE	NOMINAL CAPACITY (ML/CY)	INSTALL HOLE DISTANCE (MM)	INSTALL THREAD	OUTLET PIPE DIA (MM)	WORKING TEMPERATURE	LUBRICANT
1.5-15	G 1/4	G 1/8	0.3(DU) 0.3-3.0(DMU)	60	2-M6.8	STANDARD 6MM	-20°C TO +60°C	NLGI000#-1#

MODER:	OUTLET NUMBER	L(MM)	WEIGHT(KGS)
DU-2/8	2-8	51.5	0.86
DU-9/12	9-12	66.5	1.44
DMU-13/16	13-16		

FL-1 Injector

The series FL-1 metering devices are for single-line, high-pressure centralized lubrication systems dispensing lubricants compatible with fluoroelastomer packings and viscosity up to NLGI 2. Output is externally adjustable. An indicator pin permits visual check of metering device operation. Individual metering devices can be removed easily for inspection or replacement.

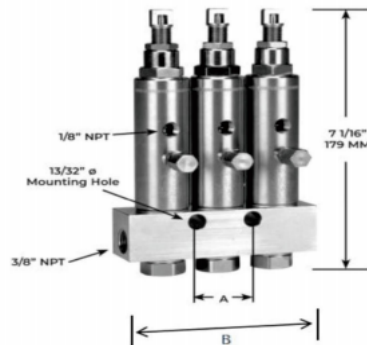


TECHNICAL DATA

Function principle	metering device
Outlets	1 to 6
Rated discharge volume	0.016-1.31cm ³
Lubricant	Grease NLGI0#-2#
Operating temperature	-26 to +176 °C
Operating pressure	127-240 bar (1850-3500 psi)
Relief pressure	41 bar (600 psi)
Connection main line	3/8 NPTF
Connection outlet	1/8 NPTF
Material	carbon steel, stainless steel

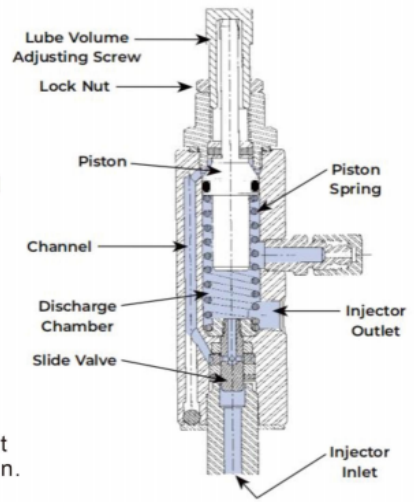
Product Dimensions

Type	A(mm)	B(mm)
FL-11	Single Hole Mounting	78
FL-12		78
FL-13	32	109
FL-14	63	140
FL-15	95	171
FL-16	127	204



Injector Working Principle

1. Under pump pressure lube enters injector inlet.
2. Slide valve is lifted allowing lube flow into channel and to top of piston. As incoming pressure moves piston down, a metered amount of lube is discharged out of injector outlet.
3. When lube cycle is completed and pump stops, the system pressure is vented/relieved through vent valve allowing piston spring to retract forcing lube back down channel and into cross drilled port in slide valve, this places a metered amount of lube in discharge chamber for the next cycle.
4. Minimum output is achieved by loosening lock nut and hand tighten adjustment screw; maximum output is 10 turns from minimum setting at approx. .008 cu. in. per turn.



How To Order

Order Code	Designation	Number of outlets
FL-11	FL-1 with one outlet	1
FL-12	FL-1 with two outlets	2
FL-13	FL-1 with three outlets	3
FL-14	FL-1 with four outlets	4
FL-15	FL-1 with five outlets	5
FL-16	FL-1 with six outlets	6

FL-32 Injector

The series FL-32 metering devices are for single-line, high-pressure centralized lubrication systems dispensing petroleum-based lubricants with a viscosity up to NLGI 2. Output is externally adjustable. The indicator stem permits visual check of metering device operation. Individual metering devices can be removed easily for inspection or replacement.

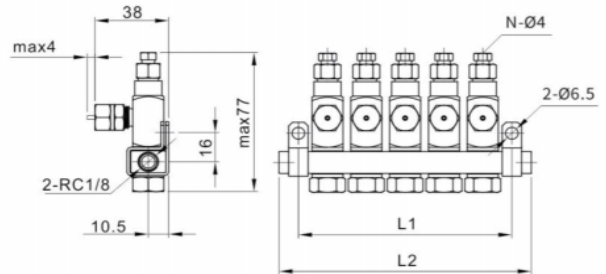


TECHNICAL DATA

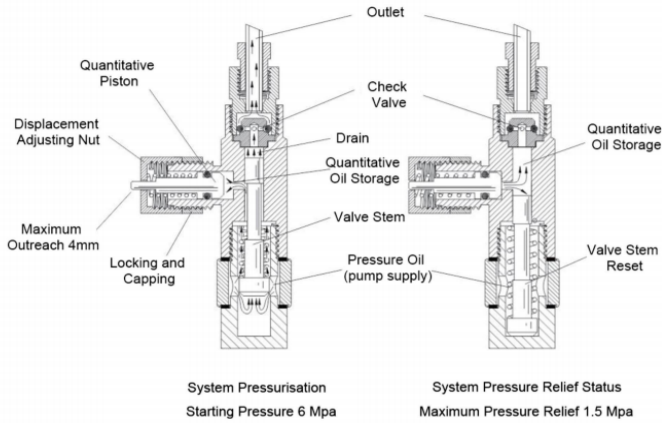
Function principle	metering device
Outlets	1 to 10
Rated discharge volume	0.019~0.14ml/cyc
Lubricant	Grease NLGI0#-2#; Oil 32~2000Cst
Operating temperature	-25to+80℃
Operating pressure	65-250 bar (940-3650 psi)
Relief pressure	15bar(220 psi)
Connection main line	Rc1/8
Connection outlet	∅4
Material	carbon steel, stainless steel

Product Dimensions

Type	L1(mm)	L2(mm)
FL-3201	30	50
FL-3202	50	70
FL-3203	70	90
FL-3204	90	110
FL-3205	110	130
FL-3206	130	150
FL-3207	150	170
FL-3208	170	190
FL-3209	190	210
FL-3210	210	230



Injector Working Principle



The high pressure oil output from the lubrication pump pushes the spool upward, and the spool pushes the lubrication medium stored in the upper part of the valve body to be injected into the system pipeline through the check valve. When the valve spool movement to the top, the completion of the lubrication point of a lubricant injection, and at the same time open the side of the oil injector quantitative piston of the oil inlet channel, for the next injection of lubricant storage quantitative lubricating medium. The lubricant pump reaches the set pressure and stops running, the system is depressurised, the spool is reset to the bottom under the action of the spring, the quantitative piston is reset under the action of the spring, the stored quantitative lubricant medium is discharged into the spool and the valve between the body and the spool and wait for the spool to be injected with oil for the next time. Adjust the tightness of the displacement adjusting nut, you can adjust the size of the single injection volume.

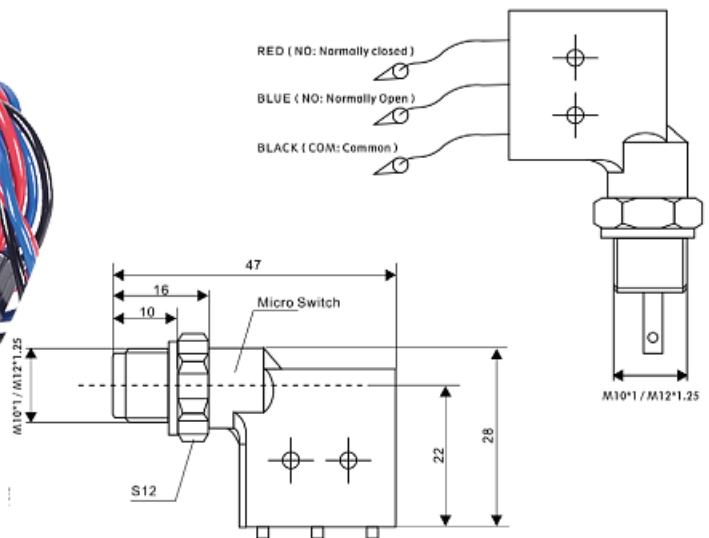
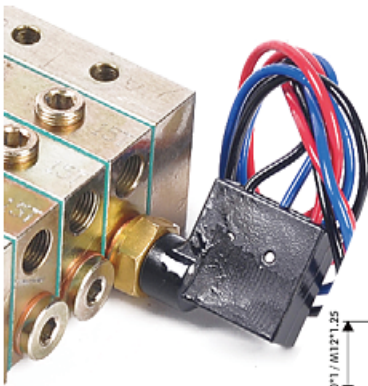
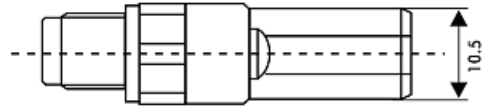
How To Order

Order Code	Designation	Number of outlets
FL-3201	FL-32 with one outlet	1
FL-3202	FL-32 with two outlets	2
FL-3203	FL-32 with three outlets	3
FL-3204	FL-32 with four outlets	4
FL-3205	FL-32 with five outlets	5
FL-3206	FL-32 with six outlets	6
FL-3207	FL-32 with seven outlets	7
FL-3208	FL-32 with eight outlets	8
FL-3209	FL-32 with nine outlets	9
FL-3210	FL-32 with ten outlets	10

DIVIDER VALVES ACCESSORIES



CYCLE INDICATOR PIN
 (FIT FOR ALL DIVIDER VALVES)

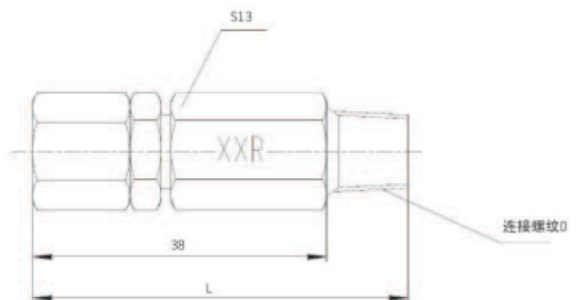


ELECTRICAL SWITCH CYCLE INDICATOR
 (FIT FOR ALL DIVIDER VALVES EXCEPT JPQA TYPE)

An optional cycle indicator in the valve block assembly monitors lubricant flows through the assembly. Pin cycles in and out with piston movement. An electrical mechanical device can be mounted on valve block to monitor normal operation of the divider.



PRESSURE ALARM

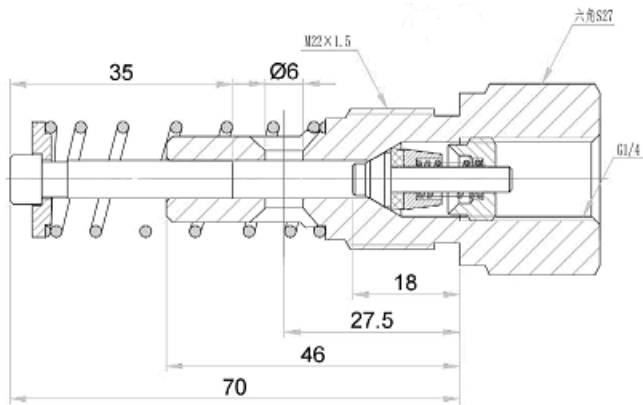


PUMP ELEMENTS

1. This pump elements series is specially designed for the electric piston pump.
2. The flow rate is 0.1,0.14, 0.19 ,0.25ml/cyc
3. When install on pump match a check valve to prevent the discharged grease from flowing backwards.
4. It can be set an overpressure indicator rod,the overflow grease will return to the grease drum with a rotary joint.
5. Nominal Pressure 20 MPa. The highest working pressure:35MPa.
6. Pressure Gauge,Measure Range 0-40Mpa
7. Applicble Medium :NLGI NO#000-#2



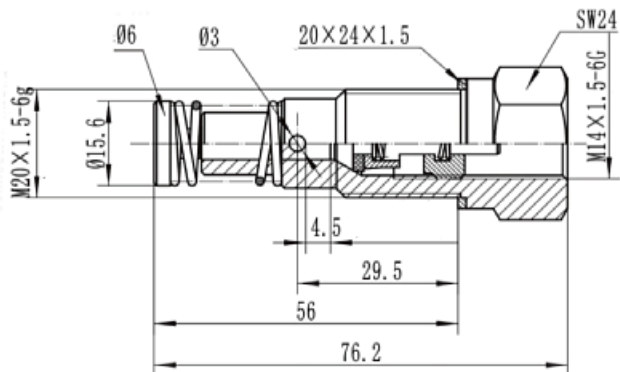
K6



Type	Piston OD (mm)	Thread (male)	Thread (female)	Output ml/cyc
K5	5	M22 X 1.5	1/4 BSPP	0.1
K6	6	M22 X 1.5	1/4 BSPP	0.14
K7	7	M22 X 1.5	1/4 BSPP	0.19
K8	8	M22 X 1.5	1/4 BSPP	0.25



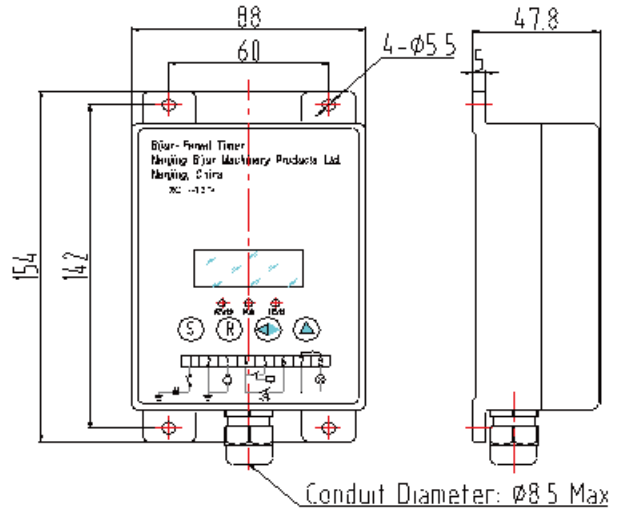
U1



Type	Piston OD (mm)	Thread (male)	Thread (female)	Output ml/cyc
U1	6	M20*1.5	1/4 BSPP	0.14

GREASE LUBRICATION ACCESSORIES

PROGRAM CONTROLLER

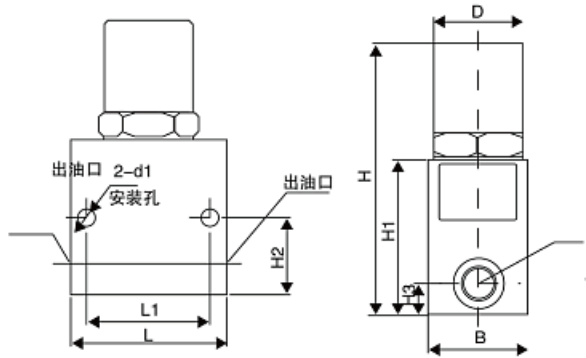


ITEM	INPUT V OTAGE	OUTPUT VOTAGE	LOAD P OWDER	RUNNING TIME	INTERVA L TIME	CONTROL MODE	ALARM TIME	APPLICATION
SM-AC	220VAC	220VAC	<120W	1-999S	1-999M	TIME/PRESS SWIT CH/CYCLE SWITC H/FREQUENCY	BUZZER/PANEL DI SPLAY/RELAY CO NTACT	DBS,DBT PUM PS
SM-DC	24VDC	24VDC	<60W	1-999S	1-999M	TIME/PRESS SWIT CH/CYCLE SWITC H/FREQUENCY	BUZZER/PANEL DI SPLAY/RELAY CO NTACT	DBS,DBT PUM PS

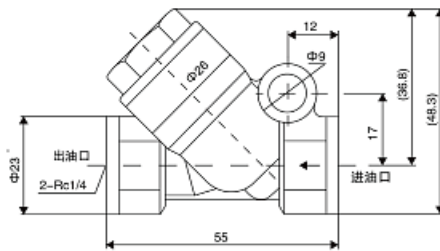
GREASE FILTER



LQY



ELS



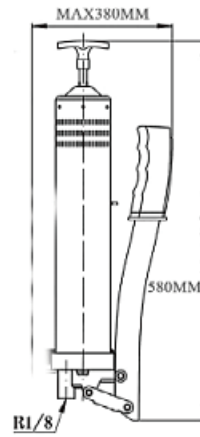
Model	Max.Pressure	Filter Accuracy	Inlet Screw	Inlet Screw	Grease Viscosity
LQY	25MPA	100μm	RP1/4	RP1/4	NLGI 000-2#
ELS	25MPA	150μm	RP1/4	RP1/4	NLGI 000-2#

MANUAL GREASE FILLER

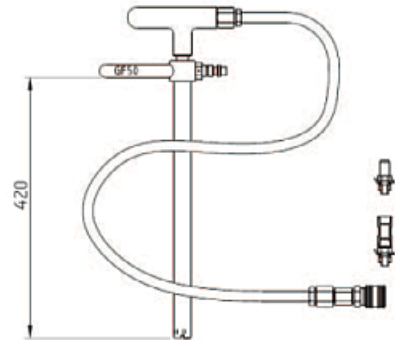
1. It's suitable for adding oil to kinds of thin oil and grease lubrication pumps.
2. Insert the Gun into the standard 15kg barreled commodity grease barrel for operation.
3. Easy to carry and easy to operate, and widely used.
4. Equipped with 1.5 m hose and push-in fitting.
5. Use medium: 000#, 00#, 0#, 1# lithium base grease. N22-N320 mechanical oil.
6. Working temperature: -20°C-80°C.



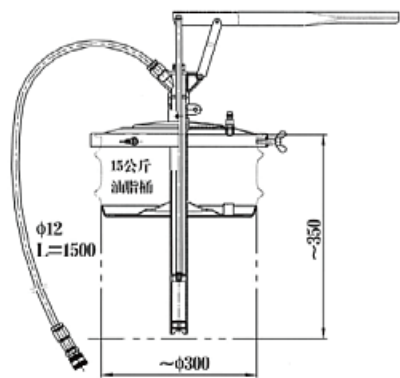
YA



GF-50



PGF-50



Oil injector

1. Easy installation, simple operation, flexible selection of grease filling cycle.
2. Stable output pressure
3. Compact structure, almost not limited by the installation site
4. High reliability and wide application area



OS100



Product	OS100 spring type grease injector
Interface thread	1/4"
Volume	100cc
Liposuction	1/3/6/9/12 months
Working pressure	4-5bar
Viscosity range	NLGI#2
Using oil pipes	Φ8



OE120

Product	OE120 Gas type grease injector
Driving method	Gas driven
Volume	120ml
Liposuction	1/3/6/9/12 months
Working pressure	5bar
Interface thread	G1/4"
Size	56mm (Φ) *115mm (H)

*During the operation and use of this product, if you have any questions, please consult the product manufacturer in a timely manner and proceed to the next step after confirmation. to avoid unnecessary losses.

Oil injector

1. Easy installation, simple operation, flexible selection of grease filling cycle.
2. Stable output pressure
3. Compact structure, almost not limited by the installation site
4. High reliability and wide application area

Single point self-lubricating pump



VRH300 is a battery powered micro lubrication pump developed by our company according to discrete equipment, the whole machine design is compact, using "pump" working principle, according to the fixed time program in the microprocessor to run a small speed motor, drive up the CAM located in the pump, promote the hollow piston, through the hollow piston movement suction, spray the grease in the container

Main indicators:

- 1, Grease pack capacity: 300 ml
- 2, 4.5V battery pack power supply
- 3, Single displacement 0.56ml
- 4, The maximum working pressure of 15kg (can transport 4 meters of pipeline)
- 5, Setting cycle: 0.5-12 months, a total of 13 cycles
- 6, with low power, motor failure, grease blocking, cycle end alarm
- 7, Applicable grease: NLGI# 2#
8. Ambient temperature: -20~70°C



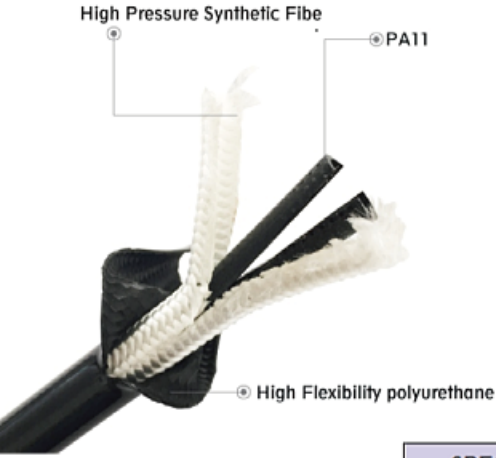
High-tech product single point automatic grease from Taiwan Adjustable automatic grease filling machine

Take care of your equipment 24 hours a day, 365 days a year.

1. Set the lubricant required by the equipment every day to be fully automatic, uniform, punctual and accurate within 1 to 12
2. Actively controlled lubrication management saves a lot of equipment maintenance costs.
3. It can avoid the trouble of overflow pollution or oil cut.
4. It can maintain the continuous supply of new oil on the lubricating surface.
5. Reusable, environmentally friendly and inexpensive.
6. It can be stopped or continued at any time as needed.
7. Unique design, explosion-proof safety, flexible and simple installation, not limited by direction and position.

Capacity	60g
Thread specification	1/8,1/4,3/8
Service temperature range	-10°C~+60°C
Installation specification	1/4"NPT
Maximum output pressure	5Kg
Product size	127MM*56.5MM
Filling cycle	The filling cycle is determined by the tightness of the knob
Grease viscosity	Lubricating oil, grease (Max NLG0-2#)
Protection class	IP65

HIGH PRESSURE HOSE



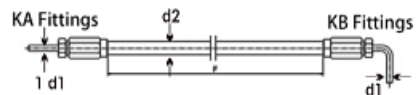
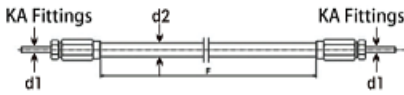
Bursting pressure : 80Mpa

SIZE	O.D(MM)	I.D (MM)	W.P WORKING PRESSURE (MPA)
6*3	6	3	20
8.6*4.2	8.6	4.2	20
8.8*4.2	8.8	4.2	20
10*6	10	6	20
11*6	11	6	20

Specifications support customization

SPECIFICATION FOR POLYURETHANE TUBE (Lubrication Hose)	
Product features	Max temperature at permanent use +80°C
	Min temperature -20°C
	Slight length deviation at operating pressure less than +3%
	Neutral reading the most at atmospheric influences
	Good proportion between inside and outside diameter
	low weight

SCREW SLEEVE / HOSE STUD



KA-6

KA FITTING	KA-4	KA-6	KA-8	KA-10
PIN SIZE (d1)	Φ4	Φ6	Φ8	Φ10
HOSE TO FIT (d2)	8.6*4.2/8.8*4.2	8.6*4.2/8.8*4.2/10*6/11*6	8.6*4.2/8.8*4.2/11*6	11*6



KB-6

KB FITTING	KB-6	KB-8
PIN SIZE (d1)	Φ6	Φ8
HOSE TO FIT (d2)	8.6*4.2/8.8*4.2/10*4	8.6*4.2/8.8*4.2/11*6



KC-6

KC FITTING	KC-6	KC-8
PIN SIZE (d1)	Φ6	Φ8
HOSE TO FIT (d2)	8.6*4.2/8.8*4.2	8.6*4.2/8.8*4.2

F size according customer's need
Specifications support customization

Press-fit hose couplings (for hydraulic pressing only)

For high-pressure hose KF300

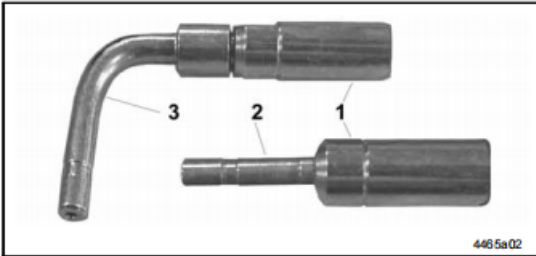


Fig. 81 Hydraulic press-fit hose couplings for KF300

Item	Designation	Stud Ø	NW	Part no.	
1	Compression sleeve		4 mm	432-23787-1	
2	Hose stud, straight	F	6 mm	4 mm	432-23781-1
		VA	6 mm	4 mm	432-23777-1
3	Hose stud 90°	6 mm	4 mm	532-32425-1	

For high-pressure hose KF300

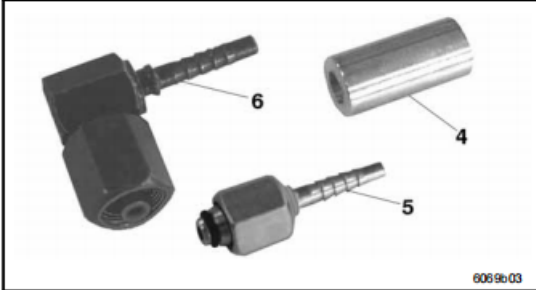


Fig. 82 DKO L and DKOLL hose stud for KF300

Item	Designation	Thread	NW	Part no.	
4	Compression sleeve DKO L and LL		4 mm	432-70025-1	
5	Hose stud, straight	F DKO L	M12 x 1	4 mm	532-32491-1
		F DKO LL	M10 x 1	4 mm	532-32492-1
		Hose coupling, straight DKO L	M10 x 1	4 mm	532-32456-1
6	Hose stud 90°	F DKO L	M12 x 1	4 mm	532-32301-1
		F DKO LL	M10 x 1	4 mm	532-32302-1

For high-pressure hose KF400

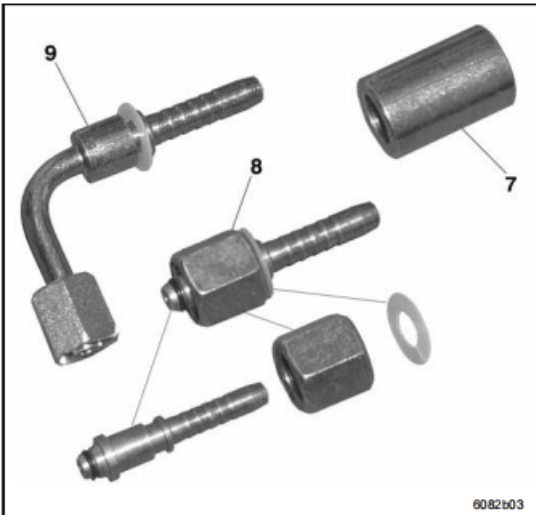
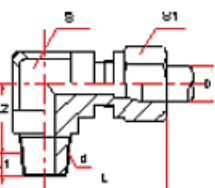
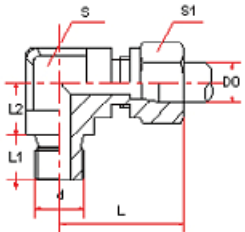
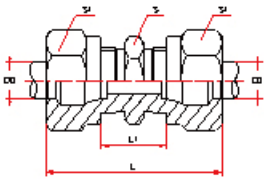
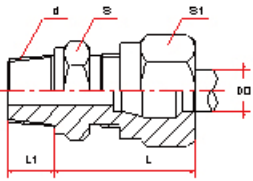
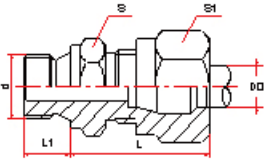


Fig. 83 DKO L hose stud for KF400

Item	Designation	Thread	Outer tube Ø	NW	Part no.	
7	Compression sleeve DKO L			6 mm	226-10087-7	
8	Hose stud, straight	DKO L	M12 x 1.5	6 mm	6 mm	226-10087-2
		DKO L	M14 x 1.5	8 mm	6 mm	226-10087-3
		DKO L	M16 x 1.5	10 mm	6 mm	226-10087-4
		Hose stud 90°				
9	DKO L	M12 x 1.5	6 mm	6 mm	226-10087-5	
		M14 x 1.5	8 mm	6 mm	226-10087-6	
		M16 x 1.5	10 mm	6 mm	226-10087-8	

ADAPTORS

Specifications support customization



ITEMS	Tube OD.DO	SIZE(mm)				
		L1	L \approx	d	S	S1
80700111	$\phi 6$	8	22	M6 \times 1	11	12
80701411	$\phi 6$	10	23	M8 \times 1	12	14
80701511	$\phi 6$	10	23	M10 \times 1	12	12
80701711	$\phi 8$	10	30	M12 \times 1.5	17	17
80703011	$\phi 8$	10	30	M14 \times 1.5	18	18
80704211	$\phi 12$	12	34	M16 \times 1.5	21	24

ITEMS	Tube OD.DO	SIZE(mm)				
		L1	L \approx	d	S	S1
80700211	$\phi 6$	8	21	R1/8	12	12
80700811		8	21	NPT1/8	12	12
80702011		14	26	R1/4	14	14
80700611	$\phi 8$	12	30	R1/8	14	17
80701211		12	30	R1/4	14	17
80701111		14	32	R3/8	17	17
80702711	$\phi 10$	10	29	R1/8	17	19
80702211		15	30	R1/4	17	19
80702511		14	30	R3/8	17	19
80700311	$\phi 12$	13	33	R1/4	19	22
80700411		14	33	R3/8	19	22

ITEMS	Tube OD.DO	SIZE(mm)			
		L1	L \approx	S	S1
80800411	$\phi 6$	17	48	12	14
80800511		15	40	11	12
80800311	$\phi 8$	15	50	14	17
80800211	$\phi 10$	20	57	17	19

ITEMS	Tube OD.DO	SIZE(mm)				
		L1	L \approx	d	S	S1
81002211	$\phi 4$	10	30	M10 \times 1	14	13
81000811		12	27	M8 \times 1	14	12
81000711	$\phi 6$	12	27	M10 \times 1	14	12
81001411		10	26	M6 \times 1	11	12
81001311	$\phi 8$	14	40	M14 \times 1.5	17	17
81001211		11	58	M10 \times 1	13	17

ITEMS	Tube OD.DO	SIZE(mm)				
		L1	L \approx	d	S	S1
81000911	$\phi 6$	10	28	R1/8	11	12
81000111		10	28	NPT1/8	11	12
81000511		15	37	R1/4	13	14
81001111	$\phi 8$	16	30	R3/8	15	14
81000311		14	25	R1/8	13	17
81000411		14	37	R1/4	14	17

Union



Fig. 58 Union

Model		Part no.
Standard	G4-LLC	4 mm
	G6-LLC	6 mm

High-grade steel		
G6-LL	6 mm	223-12454-7

Union-tee



Fig. 59 Union-tee

Model		Part no.
-------	--	----------

Standard		
T4-LLC	4 mm	223-12563-5
T6-LLC	6 mm	223-12484-9
T6-LC	6 mm	223-12484-2

High-grade steel		
T6-L	6 mm	223-12455-7

Extension adapter



Fig. 50 Extension adapter

Model	Thread, female	Thread, male	Part no.
RK 605	M 8 x 1	M 8 x 1 K	304-19437-1
	M 10 x 1	M 10 x 1 KC	304-19509-1
	M 10 x 1	R 1/8 KC	304-19230-1
	M 10 x 1	M 12 x 1 KC	712-12724-7
	R 1/8	M 8 x 1 KC	304-19167-1
	M 8 x 1	M 8 x 1.25 KC ¹⁾	304-19548-1
chromated	M 8 x 1	M 6 x 1 KAC	304-19787-1

¹⁾ for Renault

Adapter 90°



Fig. 51 Adapter 90°

Thread, female	Thread, male	Part no.
M 8 x 1 C	M 8 x 1 K	432-24043-1
M 8 x 1 C	M 10 x 1 K	432-24052-1
R 1/8	R 1/8 K	432-70674-1



6001a02

NOTE

When screwing in a threaded fitting take care that the outlet borehole of the elbow fittings is not closed by the threaded piece of the inlet fitting.

Adapter 45°



Fig. 52 Adapter 45°

Thread, female	Thread, male	Part no.
M 8 x 1	M 8 x 1 K	432-24050-1
M 10 x 1	M 8 x 1 K	432-24051-1
R 1/8	R 1/8 K	432-70673-1



6001a02

NOTE

When screwing in a threaded fitting take care that the outlet borehole of the elbow fittings is not closed by the threaded piece of the inlet fitting.

Banjo connector 90°



Fig. 53 Banjo connector 90°

Model	Tube-Ø	Part no.
-------	--------	----------

SWV E4-LLG 1/8 AC	4 mm	223-13629-1
SWV E4-LLM 10 x 1 C	4 mm	223-12480-8

SWV E6-LLG 1/8 AC	6 mm	223-12479-9
SWV E6-LLM 10 x 1 C	6 mm	223-12480-7

Straight swivel


Fig. 54 Straight swivel

1101a96

Model	Part no.
1/8 i x 1/8 a NPT	223-12567-3



NOTE
 To be used only for occasional rotary movements.

Maximum admissible pressure 50 bar

90° angle swivel


Fig. 55 90° angle swivel

1102a96




Model	Part no.
1/8 i x 1/8 a NPT	223-12567-1



NOTE
 To be used only for occasional rotary motions.

Maximum admissible pressure 50 bar

304 Stainless Steel Grease Fittings


	Thread diameter * pitch	Head angle	Total length/mm	Hexagonal opposite side/mm
	M6*1	Straight	13mm	8mm
	M8*1		17mm	10mm
	M10*1		18mm	11mm
	M12*1		18mm	12mm
	M6*1	45°	23mm	10mm
	M8*1		22mm	10mm
	M10*1		26mm	11mm
	M12*1		28mm	12mm
	M6*1	90°	17mm	10mm
	M8*1		17mm	10mm
	M10*1		21mm	11mm
	M12*1		22mm	12mm



目录

铜镀镍快插接头
P1-6



不锈钢镀镍快插接头
P7-9



铜镀镍附件
P10-11



铜镀镍卡套接头
P12-13



铜镀镍快拧接头
P14-15



铜镀镍DOT快插接头
P16-17



铜镀镍润滑接头
P18-20



高压雾化冷却接头
P21



塑料接头
P22-31



塑料接头
P22-31



Feature:

Material Body & Collet : Made in Brass & Nickel-Plated.

Working temperature:-20℃——+80℃.

◇ Application Fields :Pneumatic circuits.

◇ Thrads NPT,BSPT,BSPP,Metric Threads.

◇ Recommended tubings: PA11,PA12,PA6, Polyethylene PE,Polyurethane PU(98 Shore A).

◇ Acceptable Tolerances on the tubings: ϕ mm up to ϕ 10mm and ± 0.1 mm from ϕ 12 up to ϕ 14mm.

◇ Working Pressure: Pressure varies depending on the kind of tubing used and in any case it never has to exceed 30 bar.

特点:

◇ 接头及按钮材料:全铜镀镍

◇ 工作温度:-20℃—— +70℃

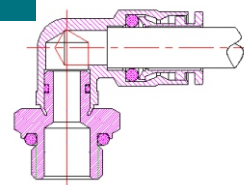
◇ 工作介质:空气、水

◇ 螺纹:NPT, BSPT, BSPP及公制螺纹

◇ 建议使用管材:PA11, PA12, PA6,PU(98 Shore A)

◇ 允许接管公差: ϕ 4、 ϕ 6、 ϕ 8、 ϕ 10mm气管允许公差 ± 0.07 mm; ϕ 12、 ϕ 14、 ϕ 16mm气管允许公差 ± 0.1 mm.

◇ 工作压力: 工作压力取决于使用的材料及型号, 但最大使用压力不能超过30公斤。



Straight Male Connector/直通外牙接头



MODEL(ϕ D-T)							
Tube(Metric)-Thread(R)		Tube(Inch)-Thread(R)		Tube(Inch)-Thread(NPT)			
AJPC04-M5	AJPC08-01	AJPC12-04	AJPC1/8-01	AJPC5/16-02	AJPC1/8-N01	AJPC1/4-N04	AJPC1/2-N03
AJPC04-M6	AJPC08-02	AJPC14-03	AJPC1/8-02	AJPC5/16-03	AJPC1/8-N02	AJPC5/16-N01	AJPC1/2-N04
AJPC04-01	AJPC08-03	AJPC14-04	AJPC3/16-01	AJPC5/16-04	AJPC5/32-N01	AJPC5/16-N02	
AJPC04-02	AJPC08-04	AJPC16-03	AJPC3/16-02	AJPC3/8-01	AJPC5/32-N02	AJPC5/16-N03	
AJPC06-M5	AJPC10-01	AJPC16-04	AJPC3/16-03	AJPC3/8-02	AJPC3/16-N01	AJPC5/16-N04	
AJPC06-M6	AJPC10-02		AJPC1/4-01	AJPC3/8-03	AJPC3/16-N02	AJPC3/8-N01	
AJPC06-01	AJPC10-03		AJPC1/4-02	AJPC3/8-04	AJPC3/16-N03	AJPC3/8-N02	
AJPC06-02	AJPC10-04		AJPC1/4-03	AJPC1/2-02	AJPC1/4-N01	AJPC3/8-N03	
AJPC06-03	AJPC12-02		AJPC1/4-04	AJPC1/2-03	AJPC1/4-N02	AJPC3/8-N04	
AJPC06-04	AJPC12-03		AJPC5/16-01	AJPC1/2-04	AJPC1/4-N03	AJPC1/2-N02	

Straight Male Connector Inner Hexagon/内六角直通接头



MODEL(ϕ D-T)							
Tube(Metric)-Thread(R)		Tube(Inch)-Thread(R)		Tube(Inch)-Thread(NPT)			
AJPOC04-M5	AJPOC08-01	AJPOC12-04	AJPOC1/8-01	AJPOC5/16-02	AJPOC1/8-N01	AJPOC1/4-N04	AJPOC1/2-N03
AJPOC04-M6	AJPOC08-02	AJPOC14-03	AJPOC1/8-02	AJPOC5/16-03	AJPOC1/8-N02	AJPOC5/16-N01	AJPOC1/2-N04
AJPOC04-01	AJPOC08-03	AJPOC14-04	AJPOC3/16-01	AJPOC5/16-04	AJPOC5/32-N01	AJPOC5/16-N02	
AJPOC04-02	AJPOC08-04	AJPOC16-03	AJPOC3/16-02	AJPOC3/8-01	AJPOC5/32-N02	AJPOC5/16-N03	
AJPOC06-M5	AJPOC10-01	AJPOC16-04	AJPOC3/16-03	AJPOC3/8-02	AJPOC3/16-N01	AJPOC5/16-N04	
AJPOC06-M6	AJPOC10-02		AJPOC1/4-01	AJPOC3/8-03	AJPOC3/16-N02	AJPOC3/8-N01	
AJPOC06-01	AJPOC10-03		AJPOC1/4-02	AJPOC3/8-04	AJPOC3/16-N03	AJPOC3/8-N02	
AJPOC06-02	AJPOC10-04		AJPOC1/4-03	AJPOC1/2-02	AJPOC1/4-N01	AJPOC3/8-N03	
AJPOC06-03	AJPOC12-02		AJPOC1/4-04	AJPOC1/2-03	AJPOC1/4-N02	AJPOC3/8-N04	
AJPOC06-04	AJPOC12-03		AJPOC5/16-01	AJPOC1/2-04	AJPOC1/4-N03	AJPOC1/2-N02	

90 Deg Swivel Male Elbow/90度可旋转接头



MODEL(ϕ D-T)							
Tube(Metric)-Thread(R)		Tube(Inch)-Thread(R)		Tube(Inch)-Thread(NPT)			
AJPL04-M5	AJPL06-04	AJPL12-02	AJPL1/8-01	AJPL5/16-02	AJPL1/8-N01	AJPL1/4-N04	AJPL1/2-N03
AJPL04-M6	AJPL08-01	AJPL12-03	AJPL1/8-02	AJPL5/16-03	AJPL1/8-N02	AJPL5/16-N01	AJPL1/2-N04
AJPL04-01	AJPL08-02	AJPL12-04	AJPL3/16-01	AJPL5/16-04	AJPL5/32-N01	AJPL5/16-N02	
AJPL04-02	AJPL08-03	AJPL14-02	AJPL3/16-02	AJPL3/8-01	AJPL5/32-N02	AJPL5/16-N03	
AJPL06-M5	AJPL08-04	AJPL14-03	AJPL3/16-03	AJPL3/8-02	AJPL3/16-N01	AJPL5/16-N04	
AJPL06-M6	AJPL10-01	AJPL14-04	AJPL1/4-01	AJPL3/8-03	AJPL3/16-N02	AJPL3/8-N01	
AJPL06-01	AJPL10-02		AJPL1/4-02	AJPL3/8-04	AJPL3/16-N03	AJPL3/8-N02	
AJPL06-02	AJPL10-03		AJPL1/4-03	AJPL1/2-02	AJPL1/4-N01	AJPL3/8-N03	
AJPL06-03	AJPL10-04		AJPL1/4-04	AJPL1/2-03	AJPL1/4-N02	AJPL3/8-N04	
			AJPL5/16-01	AJPL1/2-04	AJPL1/4-N03	AJPL1/2-N02	

90 Deg Swivel Extended Male Elbow/90度加长可旋转接头


MODEL(φD-T)					
Tube(Metric)-Thread(R)		Tube(Meitric)-Thread(G)		Tube(Inch)-Thread(NPT)	
AJPLL04-M5	AJPLL08-03	AJPLL04-G01	AJPLL10-G01	AJPLL5/32-N01	AJPLL5/16-N03
AJPLL04-M6	AJPLL08-04	AJPLL04-G02	AJPLL10-G02	AJPLL5/32-N02	AJPLL5/16-N04
AJPLL04-01	AJPLL10-01	AJPLL06-G01	AJPLL10-G03	AJPLL3/16-N01	AJPLL3/8-N01
AJPLL04-02	AJPLL10-02	AJPLL06-G02	AJPLL10-G04	AJPLL3/16-N02	AJPLL3/8-N02
AJPLL06-01	AJPLL10-03	AJPLL06-G03	AJPLL12-G01	AJPLL1/4-N01	AJPLL3/8-N03
AJPLL06-02	AJPLL10-04	AJPLL06-G04	AJPLL12-G02	AJPLL1/4-N02	AJPLL3/8-N04
AJPLL06-03	AJPLL12-01	AJPLL08-G01	AJPLL12-G03	AJPLL1/4-N03	AJPLL1/2-N01
AJPLL06-04	AJPLL12-02	AJPLL08-G02	AJPLL12-G04	AJPLL1/4-N04	AJPLL1/2-N02
AJPLL08-01	AJPLL12-03	AJPLL08-G03		AJPLL5/16-N01	AJPLL1/2-N03
AJPLL08-02	AJPLL12-04	AJPLL08-G04		AJPLL5/16-N02	AJPLL1/2-N04

90 Deg Swivel Female Elbow/90度可旋转内牙接头


MODEL(φD-T)					
Tube(Metric)-Thread(R)		Tube(Metric)-Thread(G)		Tube(Inch)-Thread(NPT)	
AJPLF04-01	AJPLF08-04	AJPLF04-G01	AJPLF08-G04	AJPLF5/32-N01	AJPLF5/16-N04
AJPLF04-02	AJPLF10-01	AJPLF04-G02	AJPLF10-G01	AJPLF5/32-N02	AJPLF3/8-N01
AJPLF06-01	AJPLF10-02	AJPLF06-G01	AJPLF10-G02	AJPLF3/16-N01	AJPLF3/8-N02
AJPLF06-02	AJPLF10-03	AJPLF06-G02	AJPLF10-G03	AJPLF3/16-N02	AJPLF3/8-N03
AJPLF06-03	AJPLF10-04	AJPLF06-G03	AJPLF10-G04	AJPLF1/4-N01	AJPLF3/8-N04
AJPLF06-04	AJPLF12-01	AJPLF06-G04	AJPLF12-G01	AJPLF1/4-N02	AJPLF1/2-N01
AJPLF08-01	AJPLF12-02	AJPLF08-G01	AJPLF12-G02	AJPLF5/16-N01	AJPLF1/2-N02
AJPLF08-02	AJPLF12-03	AJPLF08-G02	AJPLF12-G03	AJPLF5/16-N02	AJPLF1/2-N03
AJPLF08-03	AJPLF12-04	AJPLF08-G03	AJPLF12-G04	AJPLF5/16-N03	AJPLF1/2-N04

90 Deg Fixed Male Elbow/90度不旋转接头


MODEL(φD-T)					
Tube(Metric)-Thread(R)		Tube(Meitric)-Thread(G)		Tube(Inch)-Thread(NPT)	
AJPLV04-M5	AJPLV08-03	AJPLV04-G01	AJPLV10-G01	AJPLV5/32-N01	AJPLV5/16-N03
AJPLV04-M6	AJPLV08-04	AJPLV04-G02	AJPLV10-G02	AJPLV5/32-N02	AJPLV5/16-N04
AJPLV04-01	AJPLV10-01	AJPLV06-G01	AJPLV10-G03	AJPLV3/16-N01	AJPLV3/8-N01
AJPLV04-02	AJPLV10-02	AJPLV06-G02	AJPLV10-G04	AJPLV3/16-N02	AJPLV3/8-N02
AJPLV06-01	AJPLV10-03	AJPLV06-G03	AJPLV12-G01	AJPLV1/4-N01	AJPLV3/8-N03
AJPLV06-02	AJPLV10-04	AJPLV06-G04	AJPLV12-G02	AJPLV1/4-N02	AJPLV3/8-N04
AJPLV06-03	AJPLV12-01	AJPLV08-G01	AJPLV12-G03	AJPLV1/4-N03	AJPLV1/2-N01
AJPLV06-04	AJPLV12-02	AJPLV08-G02	AJPLV12-G04	AJPLV1/4-N04	AJPLV1/2-N02
AJPLV08-01	AJPLV12-03	AJPLV08-G03		AJPLV5/16-N01	AJPLV1/2-N03
AJPLV08-02	AJPLV12-04	AJPLV08-G04		AJPLV5/16-N02	AJPLV1/2-N04

90 Deg Fixed Male Elbow/90度不旋转接头


MODEL(φD)					
AJPM 04	AJPM 1/2				
AJPM 06					
AJPM 08					
AJPM 10					
AJPM 12					
AJPM 5/32					
AJPM 3/16					
AJPM 1/4					
AJPM 5/16					
AJPM 3/8					

Straight Female Connector/直通内牙接头


MODEL(φD-T)					
Tube(Metric)-Thread(R)		Tube(Metric)-Thread(G)		Tube(Inch)-Thread(NPT)	
AJPCF04-01	AJPCF08-04	AJPCF04-G01	AJPCF08-G04	AJPCF5/32-N01	AJPCF5/16-N02
AJPCF04-02	AJPCF10-01	AJPCF04-G02	AJPCF10-G01	AJPCF5/32-N02	AJPCF5/16-N03
AJPCF06-01	AJPCF10-02	AJPCF06-G01	AJPCF10-G02	AJPCF3/16-N01	AJPCF5/16-N04
AJPCF06-02	AJPCF10-03	AJPCF06-G02	AJPCF10-G03	AJPCF3/16-N02	AJPCF3/8-N02
AJPCF06-03	AJPCF10-04	AJPCF06-G03	AJPCF10-G04	AJPCF1/4-N01	AJPCF3/8-N03
AJPCF06-04	AJPCF12-01	AJPCF06-G04	AJPCF12-G01	AJPCF1/4-N02	AJPCF3/8-N04
AJPCF08-01	AJPCF12-02	AJPCF08-G01	AJPCF12-G02	AJPCF1/4-N03	AJPCF1/2-N02
AJPCF08-02	AJPCF12-03	AJPCF08-G02	AJPCF12-G03	AJPCF1/4-N04	AJPCF1/2-N03
AJPCF08-03	AJPCF12-04	AJPCF08-G03	AJPCF12-G04	AJPCF5/16-N01	AJPCF1/2-N04

Straight Bulkhead Female/穿板内牙直通接头



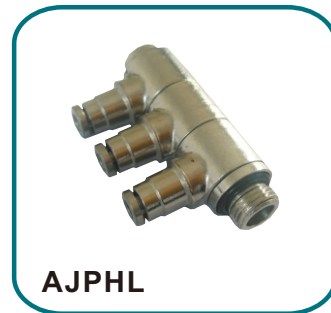
MODEL(φD-T)					
Tube(Metric)-Thread(R)		Tube(Metric)-Thread(G)		Tube(Inch)-Thread(NPT)	
AJPMF04-01	AJPMF08-04	AJPMF04-G01	AJPMF08-G04	AJPMF5/32-N01	AJPMF5/16-N02
AJPMF04-02	AJPMF10-01	AJPMF04-G02	AJPMF10-G01	AJPMF5/32-N02	AJPMF5/16-N03
AJPMF06-01	AJPMF10-02	AJPMF06-G01	AJPMF10-G02	AJPMF3/16-N01	AJPMF5/16-N04
AJPMF06-02	AJPMF10-03	AJPMF06-G02	AJPMF10-G03	AJPMF3/16-N02	AJPMF3/8-N02
AJPMF06-03	AJPMF10-04	AJPMF06-G03	AJPMF10-G04	AJPMF1/4-N01	AJPMF3/8-N03
AJPMF06-04	AJPMF12-01	AJPMF06-G04	AJPMF12-G01	AJPMF1/4-N02	AJPMF3/8-N04
AJPMF08-01	AJPMF12-02	AJPMF08-G01	AJPMF12-G02	AJPMF1/4-N03	AJPMF1/2-N02
AJPMF08-02	AJPMF12-03	AJPMF08-G02	AJPMF12-G03	AJPMF1/4-N04	AJPMF1/2-N03
AJPMF08-03	AJPMF12-04	AJPMF08-G03	AJPMF12-G04	AJPMF5/16-N01	AJPMF1/2-N04

Swivel Male Banjo Elbow/L型铰接接头



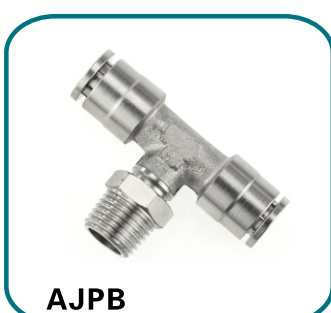
MODEL(φD-T)				
Tube(Metric)-Thread(R)		Tube(Inch)-Thread(R)		Tube(Inch)-Thread(NPT)
AJPH04-M5	AJPH08-01	AJPH1/4-M5	AJPH3/8-02	AJPH1/4-N04
AJPH04-M6	AJPH08-02	AJPH1/4-01	AJPH3/8-03	AJPH5/16-N01
AJPH04-01	AJPH08-03	AJPH1/4-02	AJPH3/8-04	AJPH5/16-N02
AJPH04-02	AJPH08-04	AJPH1/4-03	AJPH1/2-01	AJPH5/16-N03
AJPH06-M5	AJPH10-02	AJPH1/4-04	AJPH1/2-02	AJPH5/16-N04
AJPH06-M6	AJPH10-03	AJPH5/16-01	AJPH1/2-03	AJPH3/8-N01
AJPH06-01	AJPH10-04	AJPH5/16-02	AJPH1/2-04	AJPH3/8-N02
AJPH06-02	AJPH12-02	AJPH5/16-03	AJPH1/4-N01	AJPH3/8-N03
AJPH06-03	AJPH12-03	AJPH5/16-04	AJPH1/4-N02	AJPH1/2-N03
AJPH06-04	AJPH12-04	AJPH3/8-01	AJPH1/4-N03	AJPH1/2-N04

Triple Banjo Elbow/三联铰接接头



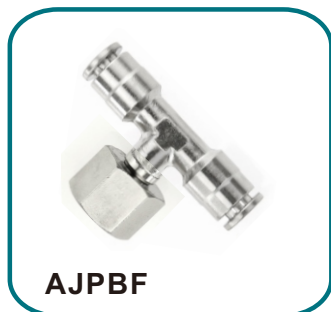
MODEL(φD-T)					
Tube(Metric)-Thread(R)		Tube(Metric)-Thread(G)		Tube(Inch)-Thread(NPT)	
AJPHL04-01	AJPHL10-01	AJPHL04-G01	AJPHL10-G01	AJPHL5/32-N01	AJPHL3/8-N02
AJPHL04-02	AJPHL10-02	AJPHL04-G02	AJPHL10-G02	AJPHL5/32-N02	AJPHL3/8-N03
AJPHL06-01	AJPHL10-03	AJPHL06-G01	AJPHL10-G03	AJPHL3/16-N01	AJPHL1/2-N02
AJPHL06-02	AJPHL10-04	AJPHL06-G02	AJPHL10-G04	AJPHL3/16-N02	AJPHL1/2-N03
AJPHL06-03	AJPHL12-02	AJPHL06-G03	AJPHL12-G02	AJPHL1/4-N01	AJPHL1/2-N04
AJPHL08-01	AJPHL12-03	AJPHL08-G01	AJPHL12-G03	AJPHL1/4-N02	
AJPHL08-02	AJPHL12-04	AJPHL08-G02	AJPHL12-G04	AJPHL5/16-N01	
AJPHL08-03		AJPHL08-G03		AJPHL5/16-N02	
AJPHL08-04		AJPHL08-G04		AJPHL5/16-N03	

Swivel Male Run Tee/三通中部可旋转螺纹接头



MODEL(φD-T)							
Tube(Metric)-Thread(R)			Tube(Inch)-Thread(R)		Tube(Inch)-Thread(NPT)		
AJPB04-M5	AJPB08-01	AJPB12-03	AJPB1/8-01	AJPB5/16-02	AJPB1/8-N01	AJPB1/4-N04	AJPB1/2-N03
AJPB04-M6	AJPB08-02	AJPB12-04	AJPB1/8-02	AJPB5/16-03	AJPB1/8-N02	AJPB5/16-N01	AJPB1/2-N04
AJPB04-01	AJPB08-03	AJPB14-01	AJPB3/16-01	AJPB5/16-04	AJPB5/32-N01	AJPB5/16-N02	
AJPB04-02	AJPB08-04	AJPB14-02	AJPB3/16-02	AJPB3/8-01	AJPB5/32-N02	AJPB5/16-N03	
AJPB06-M5	AJPB10-01	AJPB14-03	AJPB3/16-03	AJPB3/8-02	AJPB3/16-N01	AJPB5/16-N04	
AJPB06-M6	AJPB10-02	AJPB14-04	AJPB1/4-01	AJPB3/8-03	AJPB3/16-N02	AJPB3/8-N01	
AJPB06-01	AJPB10-03	AJPB16-01	AJPB1/4-02	AJPB3/8-04	AJPB3/16-N03	AJPB3/8-N02	
AJPB06-02	AJPB10-04	AJPB16-02	AJPB1/4-03	AJPB1/2-02	AJPB1/4-N01	AJPB3/8-N03	
AJPB06-03	AJPB12-01	AJPB16-03	AJPB1/4-04	AJPB1/2-03	AJPB1/4-N02	AJPB3/8-N04	
AJPB06-04	AJPB12-02	AJPB16-04	AJPB5/16-01	AJPB1/2-04	AJPB1/4-N03	AJPB1/2-N02	

Swivel Female Run Tee/三通中部可旋转接头



MODEL(φD-T)					
Tube(Metric)-Thread(R)		Tube(Metric)-Thread(G)		Tube(Inch)-Thread(NPT)	
AJPBF04-01	AJPBF08-04	AJPBF04-G01	AJPBF08-G04	AJPBF5/32-N01	AJPBF5/16-N02
AJPBF04-02	AJPBF10-01	AJPBF04-G02	AJPBF10-G01	AJPBF5/32-N02	AJPBF5/16-N03
AJPBF06-01	AJPBF10-02	AJPBF06-G01	AJPBF10-G02	AJPBF3/16-N01	AJPBF5/16-N04
AJPBF06-02	AJPBF10-03	AJPBF06-G02	AJPBF10-G03	AJPBF3/16-N02	AJPBF3/8-N01
AJPBF06-03	AJPBF10-04	AJPBF06-G03	AJPBF10-G04	AJPBF1/4-N01	AJPBF3/8-N02
AJPBF06-04	AJPBF12-01	AJPBF06-G04	AJPBF12-G01	AJPBF1/4-N02	AJPBF3/8-N03
AJPBF08-01	AJPBF12-02	AJPBF08-G01	AJPBF12-G02	AJPBF1/4-N03	AJPBF1/2-N02
AJPBF08-02	AJPBF12-03	AJPBF08-G02	AJPBF12-G03	AJPBF1/4-N04	AJPBF1/2-N03
AJPBF08-03	AJPBF12-04	AJPBF08-G03	AJPBF12-G04	AJPBF5/16-N01	AJPBF1/2-N04

Fixed Male Run Tee/三通中部不旋转螺纹接头


MODEL(φD-T)					
Tube(Metric)-Thread(R)		Tube(Metric)-Thread(G)		Tube(Inch)-Thread(NPT)	
AJPFB04-01	AJPFB08-04	AJPFB04-G01	AJPFB08-G04	AJPFB5/32-N01	AJPFB5/16-N02
AJPFB04-02	AJPFB10-01	AJPFB04-G02	AJPFB10-G01	AJPFB5/32-N02	AJPFB5/16-N03
AJPFB06-01	AJPFB10-02	AJPFB06-G01	AJPFB10-G02	AJPFB3/16-N01	AJPFB5/16-N04
AJPFB06-02	AJPFB10-03	AJPFB06-G02	AJPFB10-G03	AJPFB3/16-N02	AJPFB3/8-N01
AJPFB06-03	AJPFB10-04	AJPFB06-G03	AJPFB10-G04	AJPFB1/4-N01	AJPFB3/8-N02
AJPFB06-04	AJPFB12-01	AJPFB06-G04	AJPFB12-G01	AJPFB1/4-N02	AJPFB3/8-N03
AJPFB08-01	AJPFB12-02	AJPFB08-G01	AJPFB12-G02	AJPFB1/4-N03	AJPFB1/2-N02
AJPFB08-02	AJPFB12-03	AJPFB08-G02	AJPFB12-G03	AJPFB1/4-N04	AJPFB1/2-N03
AJPFB08-03	AJPFB12-04	AJPFB08-G03	AJPFB12-G04	AJPFB5/16-N01	AJPFB1/2-N04

Swivel Male Branch Tee/侧边可旋转三通螺纹接头


MODEL(φD-T)							
Tube(Metric)-Thread(R)			Tube(Inch)-Thread(R)			Tube(Inch)-Thread(NPT)	
AJPD04-M5	AJPD08-01	AJPD12-03	AJPD1/8-01	AJPD5/16-02	AJPD1/8-N01	AJPD1/4-N04	AJPD1/2-N03
AJPD04-M6	AJPD08-02	AJPD12-04	AJPD1/8-02	AJPD5/16-03	AJPD1/8-N02	AJPD5/16-N01	AJPD1/2-N04
AJPD04-01	AJPD08-03	AJPD14-01	AJPD3/16-01	AJPD5/16-04	AJPD5/32-N01	AJPD5/16-N02	
AJPD04-02	AJPD08-04	AJPD14-02	AJPD3/16-02	AJPD3/8-01	AJPD5/32-N02	AJPD5/16-N03	
AJPD06-M5	AJPD10-01	AJPD14-03	AJPD3/16-03	AJPD3/8-02	AJPD3/16-N01	AJPD5/16-N04	
AJPD06-M6	AJPD10-02	AJPD14-04	AJPD1/4-01	AJPD3/8-03	AJPD3/16-N02	AJPD3/8-N01	
AJPD06-01	AJPD10-03	AJPD16-01	AJPD1/4-02	AJPD3/8-04	AJPD3/16-N03	AJPD3/8-N02	
AJPD06-02	AJPD10-04	AJPD16-02	AJPD1/4-03	AJPD1/2-02	AJPD1/4-N01	AJPD3/8-N03	
AJPD06-03	AJPD12-01	AJPD16-03	AJPD1/4-04	AJPD1/2-03	AJPD1/4-N02	AJPD3/8-N04	
AJPD06-04	AJPD12-02	AJPD16-04	AJPD5/16-01	AJPD1/2-04	AJPD1/4-N03	AJPD1/2-N02	

Swivel Female Branch Tee/侧边可旋转三通内螺纹接头


MODEL(φD-T)							
Tube(Metric)-Thread(R)		Tube(Inch)-Thread(R)			Tube(Inch)-Thread(NPT)		
AJPDF04-M5	AJPDF08-01	AJPDF12-03	AJPDF1/8-01	AJPDF5/16-02	AJPDF1/8-N01	AJPDF1/4-N04	AJPDF1/2-N03
AJPDF04-M6	AJPDF08-02	AJPDF12-04	AJPDF1/8-02	AJPDF5/16-03	AJPDF1/8-N02	AJPDF5/16-N01	AJPDF1/2-N04
AJPDF04-01	AJPDF08-03	AJPDF14-01	AJPDF3/16-01	AJPDF5/16-04	AJPDF5/32-N01	AJPDF5/16-N02	
AJPDF04-02	AJPDF08-04	AJPDF14-02	AJPDF3/16-02	AJPDF3/8-01	AJPDF5/32-N02	AJPDF5/16-N03	
AJPDF06-M5	AJPDF10-01	AJPDF14-03	AJPDF3/16-03	AJPDF3/8-02	AJPDF3/16-N01	AJPDF5/16-N04	
AJPDF06-M6	AJPDF10-02	AJPDF14-04	AJPDF1/4-01	AJPDF3/8-03	AJPDF3/16-N02	AJPDF3/8-N01	
AJPDF06-01	AJPDF10-03	AJPDF16-01	AJPDF1/4-02	AJPDF3/8-04	AJPDF3/16-N03	AJPDF3/8-N02	
AJPDF06-02	AJPDF10-04	AJPDF16-02	AJPDF1/4-03	AJPDF1/2-02	AJPDF1/4-N01	AJPDF3/8-N03	
AJPDF06-03	AJPDF12-01	AJPDF16-03	AJPDF1/4-04	AJPDF1/2-03	AJPDF1/4-N02	AJPDF3/8-N04	
AJPDF06-04	AJPDF12-02	AJPDF16-04	AJPDF5/16-01	AJPDF1/2-04	AJPDF1/4-N03	AJPDF1/2-N02	

Fixed Male Branch Tee/边侧不旋转三通螺纹接头


MODEL(φD-T)							
Tube(Metric)-Thread(R)		Tube(Inch)-Thread(R)			Tube(Inch)-Thread(NPT)		
AJPFD04-M5	AJPFD08-01	AJPFD12-03	AJPFD1/8-01	AJPFD5/16-02	AJPFD1/8-N01	AJPFD1/4-N04	AJPFD1/2-N03
AJPFD04-M6	AJPFD08-02	AJPFD12-04	AJPFD1/8-02	AJPFD5/16-03	AJPFD1/8-N02	AJPFD5/16-N01	AJPFD1/2-N04
AJPFD04-01	AJPFD08-03	AJPFD14-01	AJPFD3/16-01	AJPFD5/16-04	AJPFD5/32-N01	AJPFD5/16-N02	
AJPFD04-02	AJPFD08-04	AJPFD14-02	AJPFD3/16-02	AJPFD3/8-01	AJPFD5/32-N02	AJPFD5/16-N03	
AJPFD06-M5	AJPFD10-01	AJPFD14-03	AJPFD3/16-03	AJPFD3/8-02	AJPFD3/16-N01	AJPFD5/16-N04	
AJPFD06-M6	AJPFD10-02	AJPFD14-04	AJPFD1/4-01	AJPFD3/8-03	AJPFD3/16-N02	AJPFD3/8-N01	
AJPFD06-01	AJPFD10-03	AJPFD16-01	AJPFD1/4-02	AJPFD3/8-04	AJPFD3/16-N03	AJPFD3/8-N02	
AJPFD06-02	AJPFD10-04	AJPFD16-02	AJPFD1/4-03	AJPFD1/2-02	AJPFD1/4-N01	AJPFD3/8-N03	
AJPFD06-03	AJPFD12-01	AJPFD16-03	AJPFD1/4-04	AJPFD1/2-03	AJPFD1/4-N02	AJPFD3/8-N04	
AJPFD06-04	AJPFD12-02	AJPFD16-04	AJPFD5/16-01	AJPFD1/2-04	AJPFD1/4-N03	AJPFD1/2-N02	

Swivel Male Run Y/Y型可旋转螺纹接头


MODEL(φD-T)							
Tube(Metric)-Thread(R)		Tube(Inch)-Thread(R)			Tube(Inch)-Thread(NPT)		
AJPX04-M5	AJPX08-01	AJPX12-03	AJPX1/8-01	AJPX5/16-02	AJPX1/8-N01	AJPX1/4-N04	AJPX1/2-N03
AJPX04-M6	AJPX08-02	AJPX12-04	AJPX1/8-02	AJPX5/16-03	AJPX1/8-N02	AJPX5/16-N01	AJPX1/2-N04
AJPX04-01	AJPX08-03	AJPX14-01	AJPX3/16-01	AJPX5/16-04	AJPX5/32-N01	AJPX5/16-N02	
AJPX04-02	AJPX08-04	AJPX14-02	AJPX3/16-02	AJPX3/8-01	AJPX5/32-N02	AJPX5/16-N03	
AJPX06-M5	AJPX10-01	AJPX14-03	AJPX3/16-03	AJPX3/8-02	AJPX3/16-N01	AJPX5/16-N04	
AJPX06-M6	AJPX10-02	AJPX14-04	AJPX1/4-01	AJPX3/8-03	AJPX3/16-N02	AJPX3/8-N01	
AJPX06-01	AJPX10-03	AJPX16-01	AJPX1/4-02	AJPX3/8-04	AJPX3/16-N03	AJPX3/8-N02	
AJPX06-02	AJPX10-04	AJPX16-02	AJPX1/4-03	AJPX1/2-02	AJPX1/4-N01	AJPX3/8-N03	
AJPX06-03	AJPX12-01	AJPX16-03	AJPX1/4-04	AJPX1/2-03	AJPX1/4-N02	AJPX3/8-N04	
AJPX06-04	AJPX12-02	AJPX16-04	AJPX5/16-01	AJPX1/2-04	AJPX1/4-N03	AJPX1/2-N02	

Fixed Male Run Y/Y型不旋转螺纹接头



MODEL (φ D-T)							
Tube(Metric)-Thread(R)			Tube(Inch)-Thread(R)			Tube(Inch)-Thread(NPT)	
AJPFX04-M5	AJPFX08-01	AJPFX12-03	AJPFX1/8-01	AJPFX5/16-02	AJPFX1/8-N01	AJPFX1/4-N04	AJPFX1/2-N03
AJPFX04-M6	AJPFX08-02	AJPFX12-04	AJPFX1/8-02	AJPFX5/16-03	AJPFX1/8-N02	AJPFX5/16-N01	AJPFX1/2-N04
AJPFX04-01	AJPFX08-03	AJPFX14-01	AJPFX3/16-01	AJPFX5/16-04	AJPFX5/32-N01	AJPFX5/16-N02	
AJPFX04-02	AJPFX08-04	AJPFX14-02	AJPFX3/16-02	AJPFX3/8-01	AJPFX5/32-N02	AJPFX5/16-N03	
AJPFX06-M5	AJPFX10-01	AJPFX14-03	AJPFX3/16-03	AJPFX3/8-02	AJPFX3/16-N01	AJPFX5/16-N04	
AJPFX06-M6	AJPFX10-02	AJPFX14-04	AJPFX1/4-01	AJPFX3/8-03	AJPFX3/16-N02	AJPFX3/8-N01	
AJPFX06-01	AJPFX10-03	AJPFX16-01	AJPFX1/4-02	AJPFX3/8-04	AJPFX3/16-N03	AJPFX3/8-N02	
AJPFX06-02	AJPFX10-04	AJPFX16-02	AJPFX1/4-03	AJPFX1/2-02	AJPFX1/4-N01	AJPFX3/8-N03	
AJPFX06-03	AJPFX12-01	AJPFX16-03	AJPFX1/4-04	AJPFX1/2-03	AJPFX1/4-N02	AJPFX3/8-N04	
AJPFX06-04	AJPFX12-02	AJPFX16-04	AJPFX5/16-01	AJPFX1/2-04	AJPFX1/4-N03	AJPFX1/2-N02	

Speed Controller/调节阀



MODEL (φ D-T)							
Tube(Metric)-Thread(R)			Tube(Inch)-Thread(R)			Tube(Inch)-Thread(NPT)	
AJSC04-M5	AJSC08-01	AJSC12-03	AJSC1/8-01	AJSC5/16-02	AJSC1/8-N01	AJSC1/4-N04	AJSC1/2-N03
AJSC04-M6	AJSC08-02	AJSC12-04	AJSC1/8-02	AJSC5/16-03	AJSC1/8-N02	AJSC5/16-N01	AJSC1/2-N04
AJSC04-01	AJSC08-03	AJSC14-01	AJSC3/16-01	AJSC5/16-04	AJSC5/32-N01	AJSC5/16-N02	
AJSC04-02	AJSC08-04	AJSC14-02	AJSC3/16-02	AJSC3/8-01	AJSC5/32-N02	AJSC5/16-N03	
AJSC06-M5	AJSC10-01	AJSC14-03	AJSC3/16-03	AJSC3/8-02	AJSC3/16-N01	AJSC5/16-N04	
AJSC06-M6	AJSC10-02	AJSC14-04	AJSC1/4-01	AJSC3/8-03	AJSC3/16-N02	AJSC3/8-N01	
AJSC06-01	AJSC10-03	AJSC16-01	AJSC1/4-02	AJSC3/8-04	AJSC3/16-N03	AJSC3/8-N02	
AJSC06-02	AJSC10-04	AJSC16-02	AJSC1/4-03	AJSC1/2-02	AJSC1/4-N01	AJSC3/8-N03	
AJSC06-03	AJSC12-01	AJSC16-03	AJSC1/4-04	AJSC1/2-03	AJSC1/4-N02	AJSC3/8-N04	
AJSC06-04	AJSC12-02	AJSC16-04	AJSC5/16-01	AJSC1/2-04	AJSC1/4-N03	AJSC1/2-N02	

Straight Male Connector/直通外牙接头



MODEL (φ D-T)		
Tube(Metric)-Thread(G)		
AJPC04-G01	AJPC08-G03	AJPC12-G04
AJPC04-G02	AJPC08-G04	AJPC14-G03
AJPC06-G01	AJPC10-G01	AJPC14-G04
AJPC06-G02	AJPC10-G02	AJPC16-G03
AJPC06-G03	AJPC10-G03	AJPC16-G04
AJPC06-G04	AJPC10-G04	
AJPC08-G01	AJPC12-G02	
AJPC08-G02	AJPC12-G03	

90 Deg Swivel Male Elbow/90度可旋转接头



MODEL (φ D-T)		
Tube(Metric)-Thread(G)		
AJPL04-G01	AJPL08-G03	AJPL12-G04
AJPL04-G02	AJPL08-G04	AJPL14-G03
AJPL06-G01	AJPL10-G01	AJPL14-G04
AJPL06-G02	AJPL10-G02	AJPL16-G03
AJPL06-G03	AJPL10-G03	AJPL16-G04
AJPL06-G04	AJPL10-G04	
AJPL08-G01	AJPL12-G02	
AJPL08-G02	AJPL12-G03	

Swivel Male Branch Tee/侧边可旋转三通螺纹接头



MODEL (φ D-T)		
Tube(Metric)-Thread(G)		
AJPD04-G01	AJPD08-G03	AJPD12-G04
AJPD04-G02	AJPD08-G04	AJPD14-G03
AJPD06-G01	AJPD10-G01	AJPD14-G04
AJPD06-G02	AJPD10-G02	AJPD16-G03
AJPD06-G03	AJPD10-G03	AJPD16-G04
AJPD06-G04	AJPD10-G04	
AJPD08-G01	AJPD12-G02	
AJPD08-G02	AJPD12-G03	

Swivel Male Run Tee/三通中部可旋转螺纹接头



MODEL (φ D-T)		
Tube(Metric)-Thread(G)		
AJPB04-G01	AJPB08-G03	AJPB12-G04
AJPB04-G02	AJPB08-G04	AJPB14-G03
AJPB06-G01	AJPB10-G01	AJPB14-G04
AJPB06-G02	AJPB10-G02	AJPB16-G03
AJPB06-G03	AJPB10-G03	AJPB16-G04
AJPB06-G04	AJPB10-G04	
AJPB08-G01	AJPB12-G02	
AJPB08-G02	AJPB12-G03	

Speed Controller/调节阀



MODEL (φ D-T)		
Tube(Metric)-Thread(G)		
AJSC04-G01	AJSC08-G03	AJSC12-G04
AJSC04-G02	AJSC08-G04	AJSC14-G03
AJSC06-G01	AJSC10-G01	AJSC14-G04
AJSC06-G02	AJSC10-G02	AJSC16-G03
AJSC06-G03	AJSC10-G03	AJSC16-G04
AJSC06-G04	AJSC10-G04	
AJSC08-G01	AJSC12-G02	
AJSC08-G02	AJSC12-G03	

Swivel Male Banjo Elbow/L型铰接接头



MODEL (φ D-T)		
Tube(Metric)-Thread(G)		
AJPH04-G01	AJPH08-G03	AJPH12-G04
AJPH04-G02	AJPH08-G04	
AJPH06-G01	AJPH10-G01	
AJPH06-G02	AJPH10-G02	
AJPH06-G03	AJPH10-G03	
AJPH06-G04	AJPH10-G04	
AJPH08-G01	AJPH12-G02	
AJPH08-G02	AJPH12-G03	

Union Stragit Connector/等径直通


MODEL(φ D)	
AJPU 04	AJPU 1/8
AJPU 06	AJPU 5/32
AJPU 08	AJPU 3/16
AJPU 10	AJPU 1/4
AJPU 12	AJPU 5/16
AJPU 14	AJPU 3/8
AJPU 16	AJPU 1/2

Reducer Stragit Connector/变径直通


MODEL(φ D)	
AJPG06-04	
AJPG08-06	
AJPG10-08	
AJPG12-10	
AJPG14-12	
AJPG16-14	

Reducer Union Tee/变径T型三通


MODEL(φ D-T)		
Tube(Metric)-Thread(R)	Tube(Metric)-Thread(R)	Tube(Inch)-Thread(NPT)
AJPEG06-04	AJPEG08-1/4	AJPEG1/4-5/32
AJPEG08-04	AJPEG10-1/4	AJPEG5/16-5/32
AJPEG08-06	AJPEG10-5/16	AJPEG5/16-1/4
AJPEG10-06	AJPEG12-1/4	AJPEG3/8-1/4
AJPEG10-08	AJPEG12-5/16	AJPEG3/8-5/16
AJPEG12-06	AJPEG12-3/8	AJPEG1/2-1/4
AJPEG12-08		AJPEGJ1/2-5/16
AJPEG12-10		AJPEGJ1/2-3/8

Union Tee/T型三通


MODEL(φ D)	
AJPE 04	AJPE 1/8
AJPE 06	AJPE 5/32
AJPE 08	AJPE 3/16
AJPE 10	AJPE 1/4
AJPE 12	AJPE 5/16
AJPE 14	AJPE 3/8
AJPE 16	AJPE 1/2

Equal Elbow/直角弯头

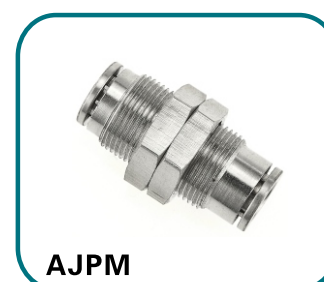

MODEL(φ D)	
AJPV 04	AJPV 1/8
AJPV 06	AJPV 5/32
AJPV 08	AJPV 3/16
AJPV 10	AJPV 1/4
AJPV 12	AJPV 5/16
AJPV 14	AJPV 3/8
AJPV 16	AJPV 1/2

Y Connector/Y型三通


MODEL(φ D)	
AJPY 04	AJPY 1/4
AJPY 06	AJPY 5/16
AJPY 08	AJPY 3/8
AJPY 10	AJPY 1/2
AJPY 12	
AJPY 5/32	
AJPY 3/16	

Plug/管塞


MODEL(φ D-T)		
Tube(Metric)-Thread(R)	Tube(Metric)-Thread(R)	Tube(Inch)-Thread(NPT)
AJPGJ06-04	AJPGJ08-1/4	AJPGJ1/4-5/32
AJPGJ08-04	AJPGJ10-1/4	AJPGJ5/16-5/32
AJPGJ08-06	AJPGJ10-5/16	AJPGJ5/16-1/4
AJPGJ10-06	AJPGJ12-1/4	AJPGJ3/8-1/4
AJPGJ10-08	AJPGJ12-5/16	AJPGJ3/8-5/16
AJPGJ12-06	AJPGJ12-3/8	AJPGJ1/2-1/4
AJPGJ12-08		AJPGJ1/2-5/16
AJPGJ12-10		AJPGJ1/2-3/8

Bulkhead Union/穿板直通


MODEL(φ D)	
AJPM 04	AJPM 1/4
AJPM 06	AJPM 5/16
AJPM 08	AJPM 3/8
AJPM 10	AJPM 1/2
AJPM 12	
AJPM 5/32	
AJPM 3/16	

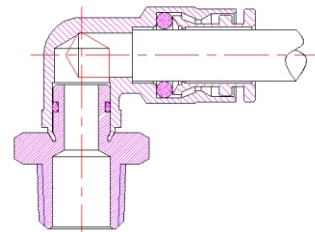
Union Corss/四通


MODEL(φ D)	
AJPZA 04	AJPZA 1/4
AJPZA 06	AJPZA 5/16
AJPZA 08	AJPZA 3/8
AJPZA10	AJPZA 1/2
AJPZA 12	
AJPZA 5/32	
AJPZA 3/16	

Five Way Connector/五通


MODEL(φ D)	
AJPK04	AJPK1/8
AJPK06	AJPK5/32
AJPK08	AJPK3/16
AJPK10	AJPK1/4
AJPK12	AJPK5/16
AJPK14	AJPK3/8
AJPK16	AJPK1/2

AS系列不锈钢接头基体采用不锈钢304材料,可用于腐蚀性环境中流体管路的链接,适用于气动、流体、化工、医疗和包装等工业领域,具有耐压高、连接可靠、适用绝大多数工作介质、使用轻便等特点。



Straight Male Connector/直通外牙接头



MODEL(φD-T)							
Tube(Metric)-Thread(R)			Tube(Metric)-Thread(G)		Tube(Inch)-Thread(NPT)		
ASPC04-M5	ASPC08-01	ASPC12-04	ASPC04-G01	ASPC10-G01	ASPC1/8-N01	ASPC1/4-N04	ASPC1/2-N03
ASPC04-M6	ASPC08-02	ASPC14-03	ASPC04-G02	ASPC10-G02	ASPC1/8-N02	ASPC5/16-N01	ASPC1/2-N04
ASPC04-01	ASPC08-03	ASPC14-04	ASPC06-G01	ASPC10-G03	ASPC5/32-N01	ASPC5/16-N02	
ASPC04-02	ASPC08-04	ASPC16-03	ASPC06-G02	ASPC10-G04	ASPC5/32-N02	ASPC5/16-N03	
ASPC06-M5	ASPC10-01	ASPC16-04	ASPC06-G03	ASPC12-G02	ASPC3/16-N01	ASPC5/16-N04	
ASPC06-M6	ASPC10-02		ASPC06-G04	ASPC12-G03	ASPC3/16-N02	ASPC3/8-N01	
ASPC06-01	ASPC10-03		ASPC08-G01	ASPC12-G04	ASPC3/16-N03	ASPC3/8-N02	
ASPC06-02	ASPC10-04		ASPC08-G02	ASPC14-G03	ASPC1/4-N01	ASPC3/8-N03	
ASPC06-03	ASPC12-02		ASPC08-G03	ASPC14-G04	ASPC1/4-N02	ASPC3/8-N04	
ASPC06-04	ASPC12-03		ASPC08-G04	ASPC16-G04	ASPC1/4-N03	ASPC1/2-N02	

Straight Female Connector/直通内牙接头



MODEL(φD-T)						
Tube(Metric)-Thread(R)		Tube(Metric)-Thread(G)		Tube(Inch)-Thread(NPT)		
ASPCF04-01	ASPCF08-04	ASPCF04-G01	ASPCF08-G04	ASPCF5/32-N01	ASPCF5/16-N02	
ASPCF04-02	ASPCF10-01	ASPCF04-G02	ASPCF10-G01	ASPCF5/32-N02	ASPCF5/16-N03	
ASPCF06-01	ASPCF10-02	ASPCF06-G01	ASPCF10-G02	ASPCF3/16-N01	ASPCF5/16-N04	
ASPCF06-02	ASPCF10-03	ASPCF06-G02	ASPCF10-G03	ASPCF3/16-N02	ASPCF3/8-N02	
ASPCF06-03	ASPCF10-04	ASPCF06-G03	ASPCF10-G04	ASPCF1/4-N01	ASPCF3/8-N03	
ASPCF06-04	ASPCF12-01	ASPCF06-G04	ASPCF12-G01	ASPCF1/4-N02	ASPCF3/8-N04	
ASPCF08-01	ASPCF12-02	ASPCF08-G01	ASPCF12-G02	ASPCF1/4-N03	ASPCF1/2-N02	
ASPCF08-02	ASPCF12-03	ASPCF08-G02	ASPCF12-G03	ASPCF1/4-N04	ASPCF1/2-N03	
ASPCF08-03	ASPCF12-04	ASPCF08-G03	ASPCF12-G04	ASPCF5/16-N01	ASPCF1/2-N04	

90 Deg Swivel Male Elbow/90度可旋转直角接头



MODEL(φD-T)							
Tube(Metric)-Thread(R)			Tube(Metric)-Thread(G)		Tube(Inch)-Thread(NPT)		
ASPL04-M5	ASPL08-01	ASPL12-04	ASPL04-G01	ASPL10-G01	ASPL1/8-N01	ASPL1/4-N04	ASPL1/2-N03
ASPL04-M6	ASPL08-02	ASPL14-03	ASPL04-G01	ASPL10-G02	ASPL1/8-N02	ASPL5/16-N01	ASPL1/2-N04
ASPL04-01	ASPL08-03	ASPL14-04	ASPL06-G01	ASPL10-G03	ASPL5/32-N01	ASPL5/16-N02	
ASPL04-02	ASPL08-04	ASPL16-03	ASPL06-G02	ASPL10-G04	ASPL5/32-N02	ASPL5/16-N03	
ASPL06-M5	ASPL10-01	ASPL16-04	ASPL06-G03	ASPL12-G02	ASPL3/16-N01	ASPL5/16-N04	
ASPL06-M6	ASPL10-02		ASPL06-G04	ASPL12-G03	ASPL3/16-N02	ASPL3/8-N01	
ASPL06-01	ASPL10-03		ASPL08-G01	ASPL12-G04	ASPL3/16-N03	ASPL3/8-N02	
ASPL06-02	ASPL10-04		ASPL08-G02	ASPL14-G03	ASPL1/4-N01	ASPL3/8-N03	
ASPL06-03	ASPL12-02		ASPL08-G03	ASPL14-G04	ASPL1/4-N02	ASPL3/8-N04	
ASPL06-04	ASPL12-03		ASPL08-G04	ASPL16-G04	ASPL1/4-N03	ASPL1/2-N02	

90 Deg Swivel Female Elbow/90度可旋转内牙接头



MODEL(φD-T)							
Tube(Metric)-Thread(R)		Tube(Metric)-Thread(G)		Tube(Inch)-Thread(NPT)			
ASPLF04-M5	ASPLF08-01	ASPLF12-04	ASPLF04-G01	ASPLF10-G01	ASPLF1/8-N01	ASPLF1/4-N04	ASPLF1/2-N03
ASPLF04-M6	ASPLF08-02	ASPLF14-03	ASPLF04-G02	ASPLF10-G02	ASPLF1/8-N02	ASPLF5/16-N01	ASPLF1/2-N04
ASPLF04-01	ASPLF08-03	ASPLF14-04	ASPLF06-G01	ASPLF10-G03	ASPLF5/32-N01	ASPLF5/16-N02	
ASPLF04-02	ASPLF08-04	ASPLF16-03	ASPLF06-G02	ASPLF10-G04	ASPLF5/32-N02	ASPLF5/16-N03	
ASPLF06-M5	ASPLF10-01	ASPLF16-04	ASPLF06-G03	ASPLF12-G02	ASPLF3/16-N01	ASPLF5/16-N04	
ASPLF06-M6	ASPLF10-02		ASPLF06-G04	ASPLF12-G03	ASPLF3/16-N02	ASPLF3/8-N01	
ASPLF06-01	ASPLF10-03		ASPLF08-G01	ASPLF12-G04	ASPLF3/16-N03	ASPLF3/8-N02	
ASPLF06-02	ASPLF10-04		ASPLF08-G02	ASPLF14-G03	ASPLF1/4-N01	ASPLF3/8-N03	
ASPLF06-03	ASPLF12-02		ASPLF08-G03	ASPLF14-G04	ASPLF1/4-N02	ASPLF3/8-N04	
ASPLF06-04	ASPLF12-03		ASPLF08-G04	ASPLF16-G04	ASPLF1/4-N03	ASPLF1/2-N02	

Straight Bulkhead Female/穿板内牙直通接头


MODEL(φD-T)							
Tube(Metric)-Thread(R)		Tube(Metric)-Thread(G)		Tube(Inch)-Thread(NPT)			
ASPMP04-M5	ASPMP08-01	ASPMP12-04	ASPMP04-G01	ASPMP10-G01	ASPMP1/8-N01	ASPMP1/4-N04	ASPMP1/2-N03
ASPMP04-M6	ASPMP08-02	ASPMP14-03	ASPMP04-G02	ASPMP10-G02	ASPMP1/8-N02	ASPMP5/16-N01	ASPMP1/2-N04
ASPMP04-01	ASPMP08-03	ASPMP14-04	ASPMP06-G01	ASPMP10-G03	ASPMP5/32-N01	ASPMP5/16-N02	
ASPMP04-02	ASPMP08-04	ASPMP16-03	ASPMP06-G02	ASPMP10-G04	ASPMP5/32-N02	ASPMP5/16-N03	
ASPMP06-M5	ASPMP10-01	ASPMP16-04	ASPMP06-G03	ASPMP12-G02	ASPMP3/16-N01	ASPMP5/16-N04	
ASPMP06-M6	ASPMP10-02		ASPMP06-G04	ASPMP12-G03	ASPMP3/16-N02	ASPMP3/8-N01	
ASPMP06-01	ASPMP10-03		ASPMP08-G01	ASPMP12-G04	ASPMP3/16-N03	ASPMP3/8-N02	
ASPMP06-02	ASPMP10-04		ASPMP08-G02	ASPMP14-G03	ASPMP1/4-N01	ASPMP3/8-N03	
ASPMP06-03	ASPMP12-02		ASPMP08-G03	ASPMP14-G04	ASPMP1/4-N02	ASPMP3/8-N04	
ASPMP06-04	ASPMP12-03		ASPMP08-G04	ASPMP16-G04	ASPMP1/4-N03	ASPMP1/2-N02	

Swivel Male Banjo Elbow/L型铰接头


MODEL(φD-T)							
Tube(Metric)-Thread(R)		Tube(Metric)-Thread(G)		Tube(Inch)-Thread(NPT)			
ASPH04-M5	ASPH08-01	ASPH12-04	ASPH04-G01	ASPH10-G01	ASPH1/8-N01	ASPH1/4-N04	ASPH1/2-N03
ASPH04-M6	ASPH08-02	ASPH14-03	ASPH04-G02	ASPH10-G02	ASPH1/8-N02	ASPH5/16-N01	ASPH1/2-N04
ASPH04-01	ASPH08-03	ASPH14-04	ASPH06-G01	ASPH10-G03	ASPH5/32-N01	ASPH5/16-N02	
ASPH04-02	ASPH08-04	ASPH16-03	ASPH06-G02	ASPH10-G04	ASPH5/32-N02	ASPH5/16-N03	
ASPH06-M5	ASPH10-01	ASPH16-04	ASPH06-G03	ASPH12-G02	ASPH3/16-N01	ASPH5/16-N04	
ASPH06-M6	ASPH10-02		ASPH06-G04	ASPH12-G03	ASPH3/16-N02	ASPH3/8-N01	
ASPH06-01	ASPH10-03		ASPH08-G01	ASPH12-G04	ASPH3/16-N03	ASPH3/8-N02	
ASPH06-02	ASPH10-04		ASPH08-G02	ASPH14-G03	ASPH1/4-N01	ASPH3/8-N03	
ASPH06-03	ASPH12-02		ASPH08-G03	ASPH14-G03	ASPH1/4-N02	ASPH3/8-N04	
ASPH06-04	ASPH12-03		ASPH08-G04	ASPH16-G04	ASPH1/4-N03	ASPH1/2-N02	

Swivel Male Branch Tee/侧边可旋转三通螺纹接头


MODEL(φD-T)							
Tube(Metric)-Thread(R)		Tube(Metric)-Thread(G)		Tube(Inch)-Thread(NPT)			
ASPD04-M5	ASPD08-01	ASPD12-04	ASPD04-G01	ASPD10-G01	ASPD1/8-N01	ASPD1/4-N04	ASPD1/2-N03
ASPD04-M6	ASPD08-02	ASPD14-03	ASPD04-G02	ASPD10-G02	ASPD1/8-N02	ASPD5/16-N01	ASPD1/2-N04
ASPD04-01	ASPD08-03	ASPD14-04	ASPD06-G01	ASPD10-G03	ASPD5/32-N01	ASPD5/16-N02	
ASPD04-02	ASPD08-04	ASPD16-03	ASPD06-G02	ASPD10-G04	ASPD5/32-N02	ASPD5/16-N03	
ASPD06-M5	ASPD10-01	ASPD16-04	ASPD06-G03	ASPD12-G02	ASPD3/16-N01	ASPD5/16-N04	
ASPD06-M6	ASPD10-02		ASPD06-G04	ASPD12-G03	ASPD3/16-N02	ASPD3/8-N01	
ASPD06-01	ASPD10-03		ASPD08-G01	ASPD12-G04	ASPD3/16-N03	ASPD3/8-N02	
ASPD06-02	ASPD10-04		ASPD08-G02	ASPD14-G03	ASPD1/4-N01	ASPD3/8-N03	
ASPD06-03	ASPD12-02		ASPD08-G03	ASPD14-G04	ASPD1/4-N02	ASPD3/8-N04	
ASPD06-04	ASPD12-03		ASPD08-G04	ASPD16-G04	ASPD1/4-N03	ASPD1/2-N02	

Swivel Male Run Tee/三通中部可旋转螺纹接头


MODEL(φD-T)							
Tube(Metric)-Thread(R)		Tube(Metric)-Thread(G)		Tube(Inch)-Thread(NPT)			
ASPB04-M5	ASPB08-01	ASPB12-04	ASPB04-G01	ASPB10-G01	ASPB1/8-N01	ASPB1/4-N04	ASPB1/2-N03
ASPB04-M6	ASPB08-02	ASPB14-03	ASPB04-G02	ASPB10-G02	ASPB1/8-N02	ASPB5/16-N01	ASPB1/2-N04
ASPB04-01	ASPB08-03	ASPB14-04	ASPB06-G01	ASPB10-G03	ASPB5/32-N01	ASPB5/16-N02	
ASPB04-02	ASPB08-04	ASPB16-03	ASPB06-G02	ASPB10-G04	ASPB5/32-N02	ASPB5/16-N03	
ASPB06-M5	ASPB10-01	ASPB16-04	ASPB06-G03	ASPB12-G02	ASPB3/16-N01	ASPB5/16-N04	
ASPB06-M6	ASPB10-02		ASPB06-G04	ASPB12-G03	ASPB3/16-N02	ASPB3/8-N01	
ASPB06-01	ASPB10-03		ASPB08-G01	ASPB12-G04	ASPB3/16-N03	ASPB3/8-N02	
ASPB06-02	ASPB10-04		ASPB08-G02	ASPB14-G03	ASPB1/4-N01	ASPB3/8-N03	
ASPB06-03	ASPB12-02		ASPB08-G03	ASPB14-G04	ASPB1/4-N02	ASPB3/8-N04	
ASPB06-04	ASPB12-03		ASPB08-G04	ASPB16-G04	ASPB1/4-N03	ASPB1/2-N02	

Speed Controller/调节阀


MODEL(φD-T)							
Tube(Metric)-Thread(R)		Tube(Metric)-Thread(G)		Tube(Inch)-Thread(NPT)			
ASSC04-M5	ASSC08-01	ASSC12-04	ASSC04-G01	ASSC10-G01	ASSC1/8-N01	ASSC1/4-N04	ASSC1/2-N03
ASSC04-M6	ASSC08-02	ASSC14-03	ASSC04-G02	ASSC10-G02	ASSC1/8-N02	ASSC5/16-N01	ASSC1/2-N04
ASSC04-01	ASSC08-03	ASSC14-04	ASSC06-G01	ASSC10-G03	ASSC5/32-N01	ASSC5/16-N02	
ASSC04-02	ASSC08-04	ASSC16-03	ASSC06-G02	ASSC10-G04	ASSC5/32-N02	ASSC5/16-N03	
ASSC06-M5	ASSC10-01	ASSC16-04	ASSC06-G03	ASSC12-G02	ASSC3/16-N01	ASSC5/16-N04	
ASSC06-M6	ASSC10-02		ASSC06-G04	ASSC12-G03	ASSC3/16-N02	ASSC3/8-N01	
ASSC06-01	ASSC10-03		ASSC08-G01	ASSC12-G04	ASSC3/16-N03	ASSC3/8-N02	
ASSC06-02	ASSC10-04		ASSC08-G02	ASSC14-G03	ASSC1/4-N01	ASSC3/8-N03	
ASSC06-03	ASSC12-02		ASSC08-G03	ASSC14-G04	ASSC1/4-N02	ASSC3/8-N04	
ASSC06-04	ASSC12-03		ASSC08-G04	ASSC16-G04	ASSC1/4-N03	ASSC1/2-N02	

Union Stragit Connector/等径直通



MODEL(φD)	
ASPU4	ASPU1/8
ASPU6	ASPU5/32
ASPU8	ASPU3/16
ASPU10	ASPU1/4
ASPU12	ASPU5/16
ASPU14	ASPU3/8
ASPU16	ASPU1/2

Union Corsss/四通



MODEL(φD)	
ASPZA4	ASPZA1/8
ASPZA6	ASPZA5/32
ASPZA8	ASPZA3/16
ASPZA10	ASPZA1/4
ASPZA12	ASPZA5/16
ASPZA14	ASPZA3/8
ASPZA16	ASPZA1/2

Equal Elbow/直角弯头



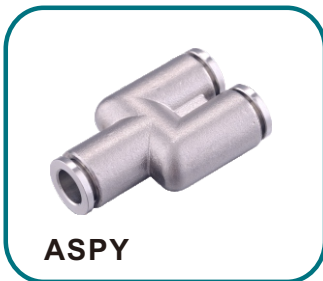
MODEL(φD)	
ASPV4	ASPV1/8
ASPV6	ASPV5/32
ASPV8	ASPV3/16
ASPV10	ASPV1/4
ASPV12	ASPV5/16
ASPV14	ASPV3/8
ASPV16	ASPV1/2

Union Tee/T型三通



MODEL(φD)	
ASPE4	ASPE1/8
ASPE6	ASPE5/32
ASPE8	ASPE3/16
ASPE10	ASPE1/4
ASPE12	ASPE5/16
ASPE14	ASPE3/8
ASPE16	ASPE1/2

Y Connector/Y型三通



MODEL(φD)	
ASPY4	ASPY1/8
ASPY6	ASPY5/32
ASPY8	ASPY3/16
ASPY10	ASPY1/4
ASPY12	ASPY5/16
ASPY14	ASPY3/8
ASPY16	ASPY1/2

Bulkhead Union/穿板直通



MODEL(φD)	
ASPM04	ASPM1/8
ASPM06	ASPM5/32
ASPM08	ASPM3/16
ASPM10	ASPM1/4
ASPM12	ASPM5/16
ASPM14	ASPM3/8
ASPM16	ASPM1/2

Reducer Stragit Connector/变径直通



MODEL(φD)	
ASPG04	ASPG1/8
ASPG06	ASPG5/32
ASPG08	ASPG3/16
ASPG10	ASPG1/4
ASPG12	ASPG5/16
ASPG14	ASPG3/8
ASPG16	ASPG1/2

Reducer Union Tee/变径T型三通



MODEL(φD)	
ASPEG04-06	ASPEG1/8-5/32
ASPEG06-08	ASPEG5/32-3/16
ASPEG08-10	ASPEG3/16-1/4
ASPEG10-12	ASPEG1/4-5/16
ASPEG12-14	ASPEG5/16-3/8
ASPEG14-16	ASPEG3/8-1/2

AMS-KSEIndonesia Corp



PT. APINDO MITRA SELARAS

Serang Office :
Komp. Lebak Indah Griya Asri
Blok D4-D5 No.17 & No.05
Waringin Kuring - Kramatwatu
Serang, Banten
42161

Cilegon Office :
Jl. Raya Pondok Cilegon Indah
Ruko Cilegon City Square Blok I No.7
Kedaleman - Cibeer
Cilegon, Banten
42422